

BOM

P/N	DESCRIPTION	QTY
10580993	DIVIDER	1
10580740	FRAMES	120
10580694	CANISTERS	480

APP'VD	DATE			
--------	------	--	--	--

DRAWN BY CB	7-17-95	XLC 1200		
-------------	---------	----------	--	--

CHECKED BY		USED ON		
------------	--	---------	--	--

PROJ.ENGR.		APPLICATION	ORIGINAL ECR/ER	
------------	--	-------------	-----------------	--

REV	APPV	ECR	REVISION DESCRIPTION	BY	DATE
A		201,970	REVISED DIVIDER	JSB	2/25/97
B		204,688	REVISED DIVIDER	JRH	07/15/02



MVE INC.
CANTON, GEORGIA 30114

THE MATERIALS AND INFORMATION, INCLUDING THE PRINCIPLES OF DESIGN PRESENTED BY THIS PRINT, IS THE EXCLUSIVE PROPERTY OF MINNESOTA VALLEY ENGINEERING, AND IS CONFIDENTIAL INFORMATION. ACCORDINGLY, THIS INFORMATION IS SUBMITTED TO YOU WITH THE AGREEMENT THAT IT IS NOT TO BE REPRODUCED, COPIED, OR LOANED, IN PART OR IN WHOLE, NOR IS THE INFORMATION TO BE RELAYED TO ANY COMPANY. ACCEPTANCE OF THIS DRAWING WILL BE CONSTRUED AS AN AGREEMENT TO THE ABOVE.

DESIGNATES A NOTE REFERENCE.

MAT'L

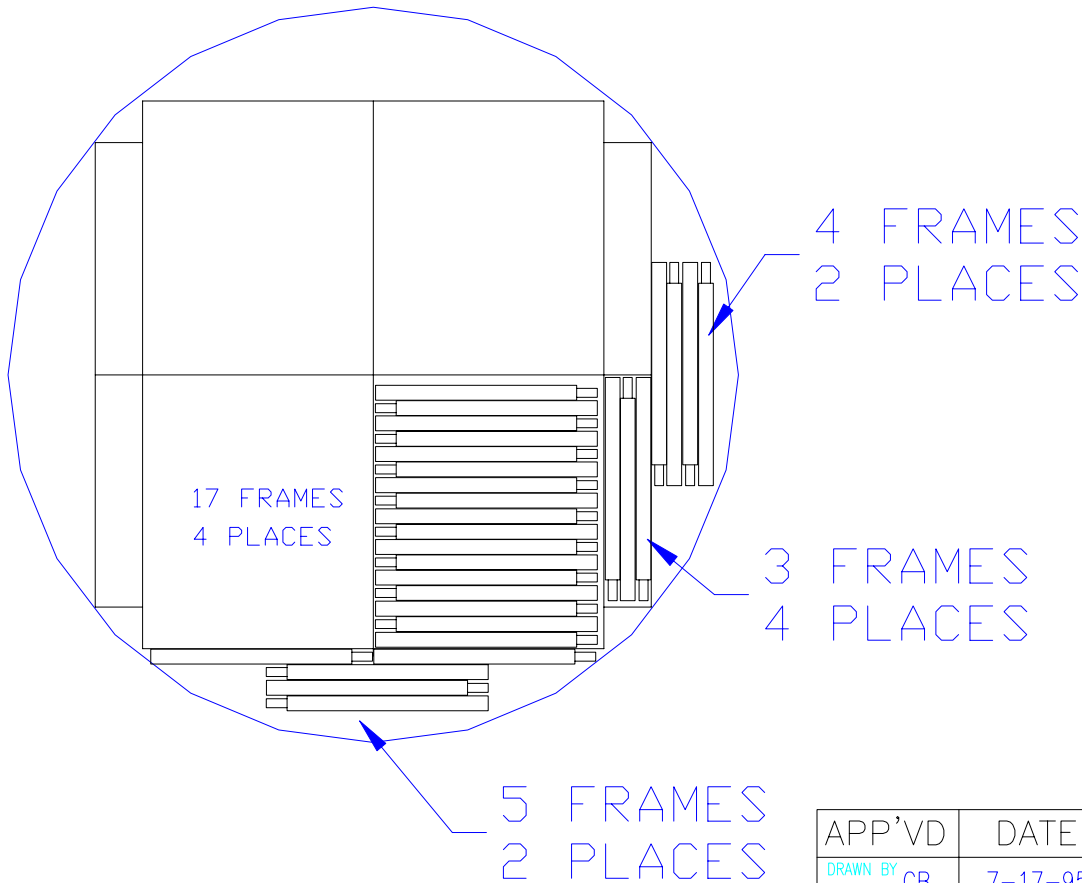
SEE BOM
FINISH P/N
10581304

UNLESS OTHERWISE SPECIFIED DIMENSIONS ARE IN INCHES.
TOLERANCES:
FRACTIONS ± 1/16"
ANGLES ± 1°
2 PLACE DECIMAL ± .031
3 PLACE DECIMAL ± .015

TITLE:
BAXTER 4R9953

DRAWING NO. **A-10581304** REV: **B**

SCALE: **1/8" = 1"** DO NOT SCALE DRAWING SHEET: **1 of 1**



BOM

P/N	DESCRIPTION	QTY
10581005	DIVIDER	1
10580766	FRAMES	98
10580707	CANISTERS	392

REV	APPV	ECR	REVISION DESCRIPTION	BY	DATE
A		201,970	REVISED DIVIDER	JSB	3/6/98
B		204,688	REVISED DIVIDER	JRH	07/15/02

APP'VD	DATE			
DRAWN BY CB	7-17-95	XLC 1200		

CHECKED BY		USED ON		
PROJ.ENGR.		APPLICATION	ORIGINAL ECR/ER	



THE MATERIALS AND INFORMATION, INCLUDING THE PRINCIPLES OF DESIGN PRESENTED BY THIS PRINT, IS THE EXCLUSIVE PROPERTY OF MINNESOTA VALLEY ENGINEERING, AND IS CONFIDENTIAL INFORMATION. ACCORDINGLY, THIS INFORMATION IS SUBMITTED TO YOU WITH THE AGREEMENT THAT IT IS NOT TO BE REPRODUCED, COPIED, OR LOANED, IN PART OR IN WHOLE, NOR IS THE INFORMATION TO BE RELAYED TO ANY COMPANY. ACCEPTANCE OF THIS DRAWING WILL BE CONSTRUED AS AN AGREEMENT TO THE ABOVE.

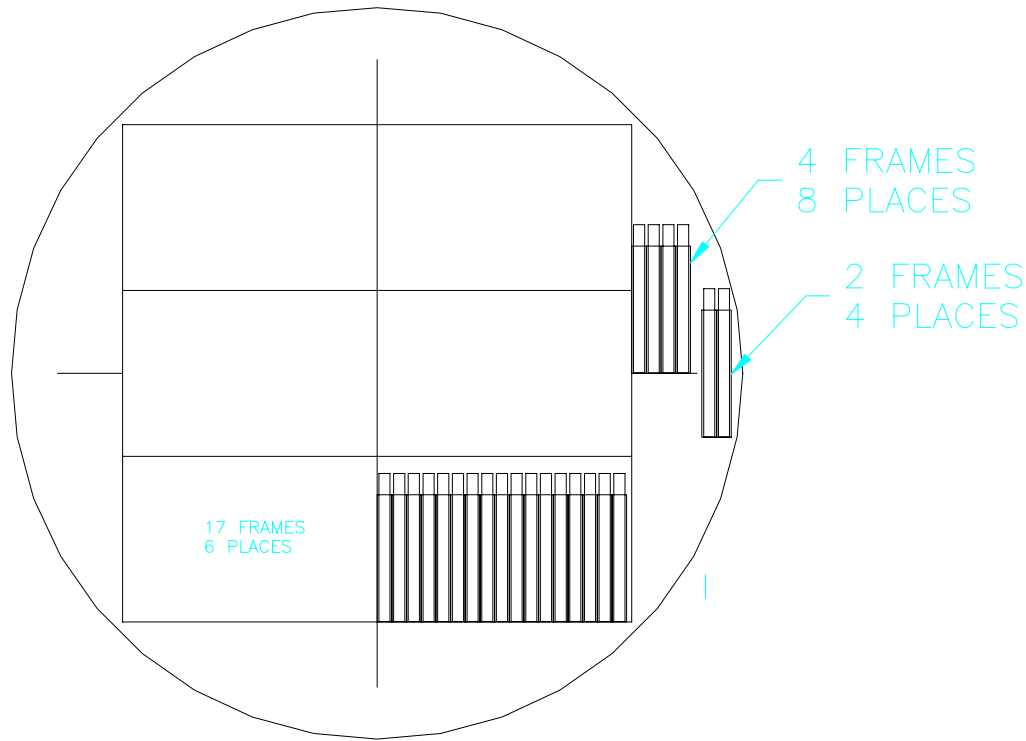
MAT'L
SEE BOM
FINISH P/N
10581312

UNLESS OTHERWISE SPECIFIED
DIMENSIONS ARE IN INCHES.
TOLERANCES:
FRACTIONS ± 1/16"
ANGLES ± 1°
2 PLACE DECIMAL ± .031
3 PLACE DECIMAL ± .015

TITLE: BAXTER 4R9955	
DRAWING NO. A-10581312	REV: B
SCALE: 1/8" = 1"	DO NOT SCALE DRAWING
SHEET: 1 of 1	

DESIGNATES A NOTE REFERENCE.

DRAWING NO. A-10857956



P/N	DESCRIPTION	QTY
10857964	DIVIDER	1
10823385	FRAMES	142
10823393	CANISTERS	852

APP'VD	DATE		
DRAWN BY LJK	11-22-96	XLC 1200	

CHECKED BY		USED ON	201,884
PROJ.ENGR.		APPLICATION	ORIGINAL ECR/ER

A		201,970	REVISED DIVIDER	JSB	3/10/98
REV	APPV	ECR	REVISION DESCRIPTION	BY	DATE

THE MATERIALS AND INFORMATION, INCLUDING THE PRINCIPLES OF DESIGN PRESENTED BY THIS PRINT, IS THE EXCLUSIVE PROPERTY OF MINNESOTA VALLEY ENGINEERING, AND IS CONFIDENTIAL INFORMATION. ACCORDINGLY, THIS INFORMATION IS SUBMITTED TO YOU WITH THE AGREEMENT THAT IT IS NOT TO BE REPRODUCED, COPIED, OR LOANED, IN PART OR IN WHOLE, NOR IS THE INFORMATION TO BE RELAYED TO ANY COMPANY. ACCEPTANCE OF THIS DRAWING WILL BE CONSTRUED AS AN AGREEMENT TO THE ABOVE.

DESIGNATES A NOTE REFERENCE.

MAT'L
SEE B.O.M.
FINISH P/N
10857956

UNLESS OTHERWISE SPECIFIED
DIMENSIONS ARE IN INCHES.
TOLERANCES:
FRACTIONS ± 1/16"
ANGLES ± 1°
2 PLACE DECIMAL ± .031
3 PLACE DECIMAL ± .015

MVE INC. CANTON, GEORGIA 30114

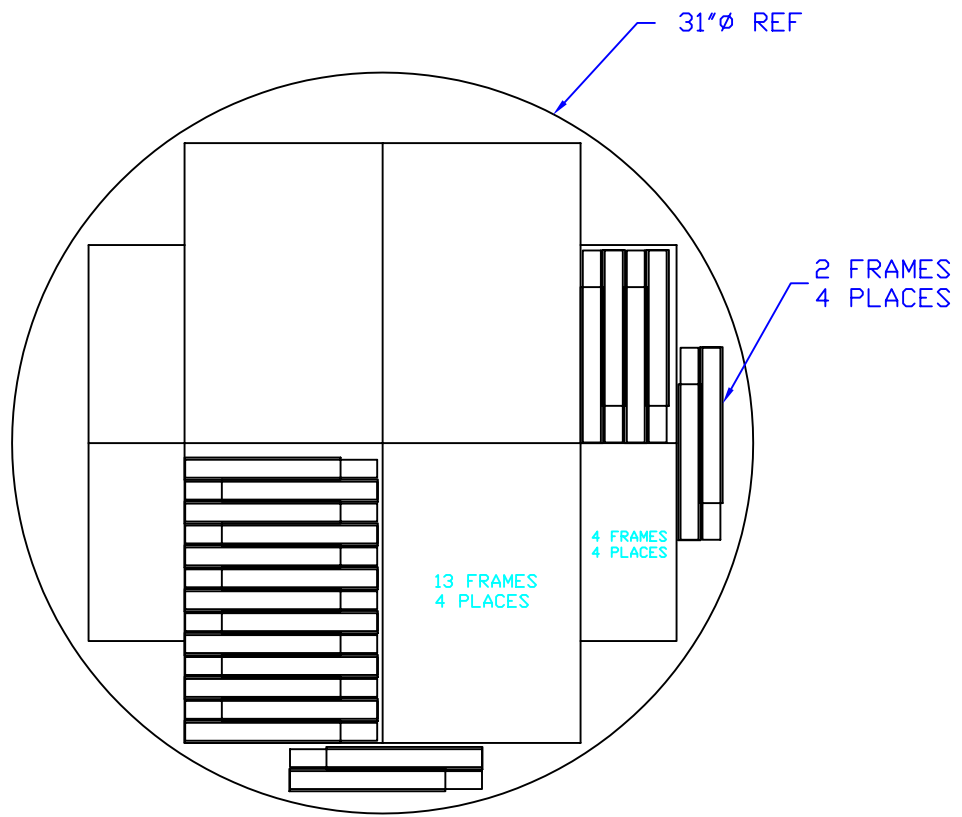
MVE

TITLE: BAXTER 4R-9951 RACK LAYOUT

DRAWING NO. A-10857956 REV: A

SCALE: 1/8" = 1" DO NOT SCALE DRAWING SHEET: 1 of 1

DRAWING NO. A-10581321



BOM

P/N	DESCRIPTION	QTY
10581013	DIVIDER	1
10580782	FRAMES	76
10580715	CANISTERS	304

APP'VD	DATE		
DRAWN BY CB	7-14-95	XLC-1200	
CHECKED BY		USED ON	
PROJ.ENGR.			

A		201,970	REVISED DIVIDER	JSB	3/6/98
REV	APPV	ECR	REVISION DESCRIPTION	BY	DATE

MVE CRYOGENICS MVE INC.
CANTON, GEORGIA 30114

TITLE: GAMBRO DF-200

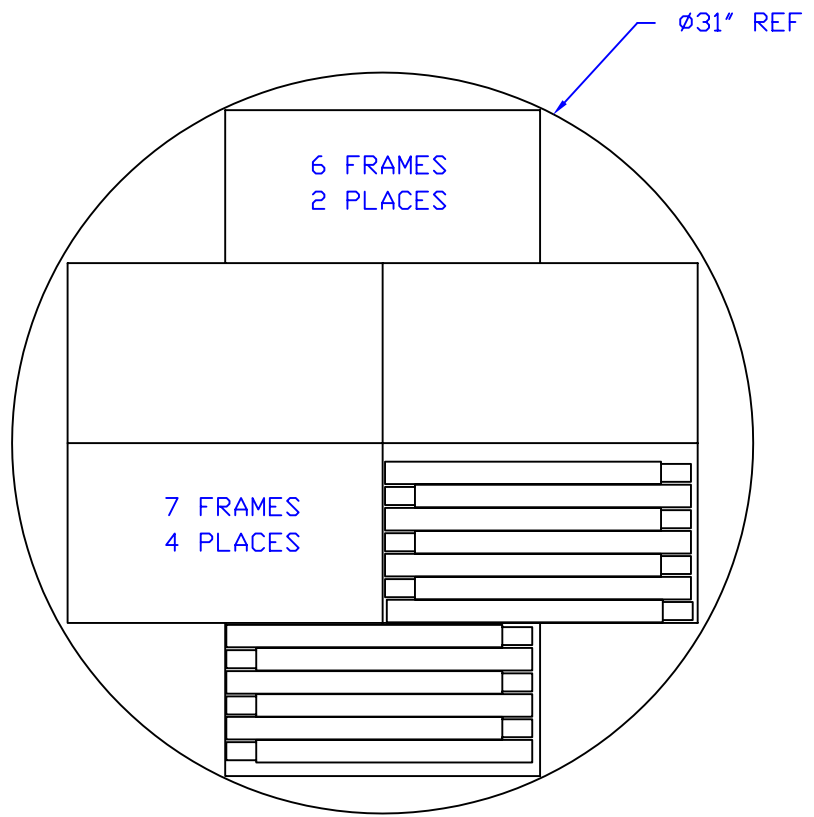
DRAWING NO. A-10581321 REV: A

SCALE: 1/8"=1" DO NOT SCALE DRAWING SHEET: 1 of 1

MAT'L
SEE BOM
FINISH P/N
10581321

THE MATERIALS AND INFORMATION, INCLUDING THE PRINCIPLES OF DESIGN PRESENTED BY THIS PRINT, IS THE EXCLUSIVE PROPERTY OF MINNESOTA VALLEY ENGINEERING, AND IS CONFIDENTIAL INFORMATION. ACCORDINGLY, THIS INFORMATION IS SUBMITTED TO YOU WITH THE AGREEMENT THAT IT IS NOT TO BE REPRODUCED, COPIED, OR LOANED, IN PART OR IN WHOLE, NOR IS THE INFORMATION TO BE RELAYED TO ANY COMPANY. ACCEPTANCE OF THIS DRAWING WILL BE CONSTRUED AS AN AGREEMENT TO THE ABOVE.

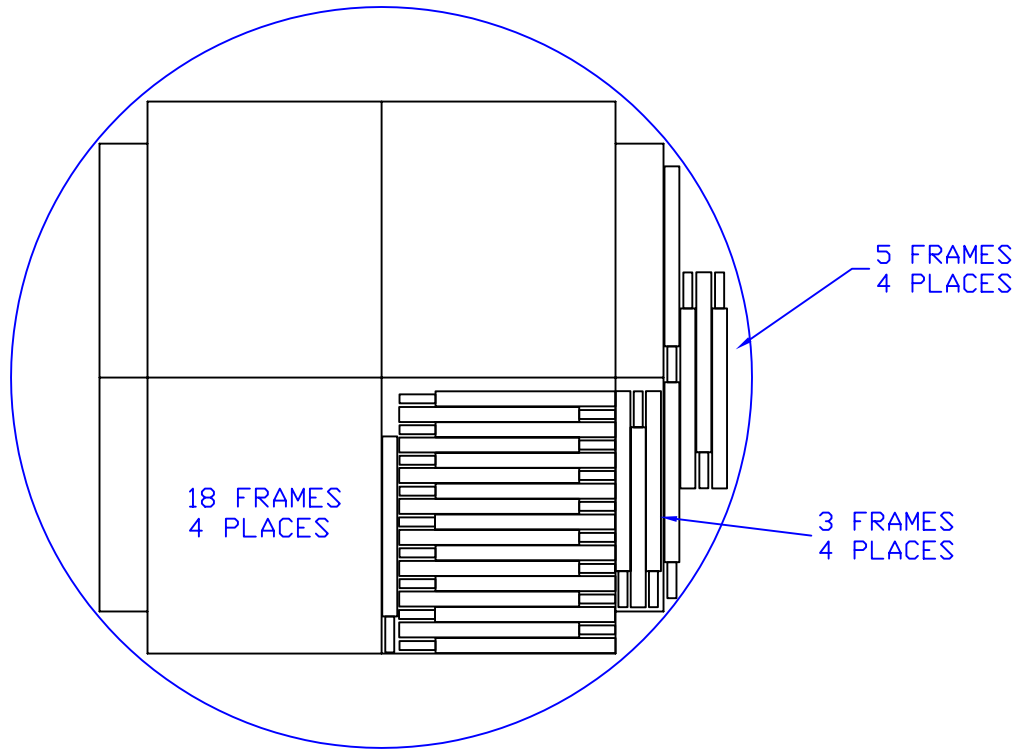
UNLESS OTHERWISE SPECIFIED
DIMENSIONS ARE IN INCHES.
TOLERANCES:
FRACTIONS ±
ANGLES ±
2 PLACE DECIMAL ±
3 PLACE DECIMAL ±



BOM

P/N	DESCRIPTION	QTY
10581021	DIVIDER	1
10580803	FRAMES	40
10580723	CANISTERS	160

					APP'VD	DATE			
					DRAWN BY	CB	7-14-95	XLC-1200	
					CHECKED BY			USED ON	
					PROJ.ENGR.			APPLICATION	
A		201,970	REVISED DIVIDER	JSB	3/10/98				
B		204,688	REVISED LAYOUT	JRH	07/15/02				
REV	APPV	ECR	REVISION DESCRIPTION	BY	DATE				
<p>THE MATERIALS AND INFORMATION, INCLUDING THE PRINCIPLES OF DESIGN PRESENTED BY THIS PRINT, IS THE EXCLUSIVE PROPERTY OF MINNESOTA VALLEY ENGINEERING, AND IS CONFIDENTIAL INFORMATION. ACCORDINGLY, THIS INFORMATION IS SUBMITTED TO YOU WITH THE AGREEMENT THAT IT IS NOT TO BE REPRODUCED, COPIED, OR LOANED, IN PART OR IN WHOLE, NOR IS THE INFORMATION TO BE RELAYED TO ANY COMPANY. ACCEPTANCE OF THIS DRAWING WILL BE CONSTRUED AS AN AGREEMENT TO THE ABOVE.</p>				<p>MAT'L SEE BOM FINISH P/N 10581339</p>		<p>MVE CRYOGENICS MVE INC. CANTON, GEORGIA 30114</p>			
						<p>TITLE: GAMBRO DF-700</p>			
						<p>DRAWING NO. A-10581339</p>			<p>REV: B</p>
						<p>SCALE: 1/8"=1"</p>		<p>DO NOT SCALE DRAWING</p>	<p>SHEET: 1 of 1</p>



BOM

P/N	DESCRIPTION	QTY
10581005	DIVIDER	1
10969069	FRAMES	104
10969077	CANISTERS	312

APP'VD	DATE		
DRAWN BY JSB	3/11/98	XLC 1200	
CHECKED BY		USED ON	201,970
PROJ.ENGR.		APPLICATION	ORIGINAL ECR/ER


A		204,688	REVISED LAYOUT	JRH	07/15/02
REV	APPV	ECR	REVISION DESCRIPTION	BY	DATE

THE MATERIALS AND INFORMATION, INCLUDING THE PRINCIPLES OF DESIGN PRESENTED BY THIS PRINT, IS THE EXCLUSIVE PROPERTY OF MINNESOTA VALLEY ENGINEERING, AND IS CONFIDENTIAL INFORMATION. ACCORDINGLY, THIS INFORMATION IS SUBMITTED TO YOU WITH THE AGREEMENT THAT IT IS NOT TO BE REPRODUCED, COPIED, OR LOANED, IN PART OR IN WHOLE, NOR IS THE INFORMATION TO BE RELAYED TO ANY COMPANY. ACCEPTANCE OF THIS DRAWING WILL BE CONSTRUED AS AN AGREEMENT TO THE ABOVE.

DESIGNATES A NOTE REFERENCE.

MAT'L
SEE BOM
FINISH P/N
10969093

UNLESS OTHERWISE SPECIFIED
DIMENSIONS ARE IN INCHES.
TOLERANCES:
FRACTIONS $\pm 1/16"$
ANGLES $\pm 1'$
2 PLACE DECIMAL $\pm .031$
3 PLACE DECIMAL $\pm .015$

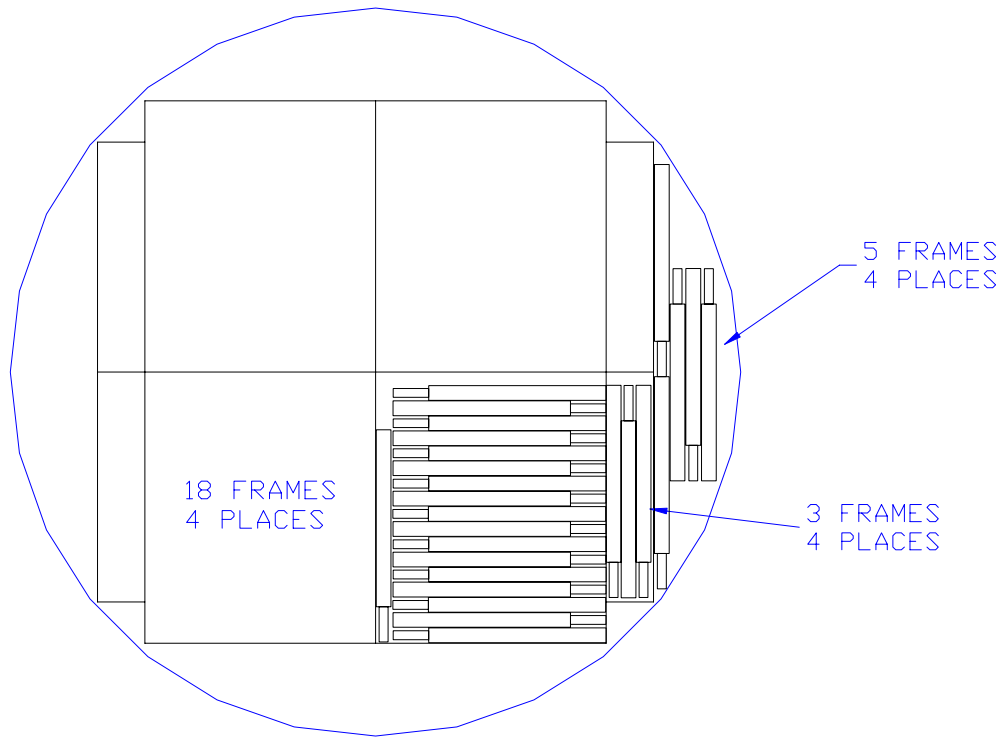


MVE INC.
CANTON, GEORGIA 30114

TITLE:
CHARTERMED
7005-2/7039-2/7303-2

DRAWING NO. A-10969093 REV: A

SCALE: 1/8"=1" DO NOT SCALE DRAWING SHEET: 1 of 1



BOM

P/N	DESCRIPTION	QTY
10581005	DIVIDER	1
10969069	FRAMES	104
10969077	CANISTERS	312

APP'VD	DATE		
DRAWN BY JSB	3/11/98	XLC 1200	
CHECKED BY		USED ON	201,970

A		204,688	REVISED LAYOUT	JRH	07/15/02
REV	APPV	ECR	REVISION DESCRIPTION	BY	DATE

 MVE INC.
CANTON, GEORGIA 30114

TITLE:
CHARTERMED
7400-2/7410-2/7403-2

DRAWING NO. A-10969413 REV: A

SCALE: 1/8" = 1" DO NOT SCALE DRAWING SHEET: 1 of 1

MAT'L
SEE BOM
FINISH P/N
10969093

UNLESS OTHERWISE SPECIFIED
DIMENSIONS ARE IN INCHES.
TOLERANCES:
FRACTIONS ± 1/16"
ANGLES ± 1°
2 PLACE DECIMAL ± .031
3 PLACE DECIMAL ± .015

THE MATERIALS AND INFORMATION, INCLUDING THE PRINCIPLES OF DESIGN PRESENTED BY THIS PRINT, IS THE EXCLUSIVE PROPERTY OF MINNESOTA VALLEY ENGINEERING, AND IS CONFIDENTIAL INFORMATION. ACCORDINGLY, THIS INFORMATION IS SUBMITTED TO YOU WITH THE AGREEMENT THAT IT IS NOT TO BE REPRODUCED, COPIED, OR LOANED, IN PART OR IN WHOLE, NOR IS THE INFORMATION TO BE RELAYED TO ANY COMPANY. ACCEPTANCE OF THIS DRAWING WILL BE CONSTRUED AS AN AGREEMENT TO THE ABOVE.

DESIGNATES A NOTE REFERENCE.