

6 FRAMES  
4 PLACES

20 FRAMES  
4 PLACES

6 FRAMES  
4 PLACES

BOM

| P/N      | DESCRIPTION | QTY |
|----------|-------------|-----|
| 10580993 | DIVIDER     | 1   |
| 10580740 | FRAMES      | 128 |
| 10580694 | CANISTERS   | 512 |

|                |         |             |                 |
|----------------|---------|-------------|-----------------|
| APP'VD         | DATE    |             |                 |
| DRAWN BY JRH   | 6/25/02 | XLC 1400    |                 |
| CHECKED BY     |         | USED ON     | 204,688         |
| PROJ.ENGR. JSB | 12/6/02 | APPLICATION | ORIGINAL ECR/ER |

| REV | APPV | ECR | REVISION | DESCRIPTION | BY | DATE |
|-----|------|-----|----------|-------------|----|------|
|     |      |     |          |             |    |      |

**CHART** CHART INDUSTRIES, INC.  
CANTON, GEORGIA 30114

TITLE:  
**BAXTER 4R9953**

DRAWING NO. **A-11742801** REV:

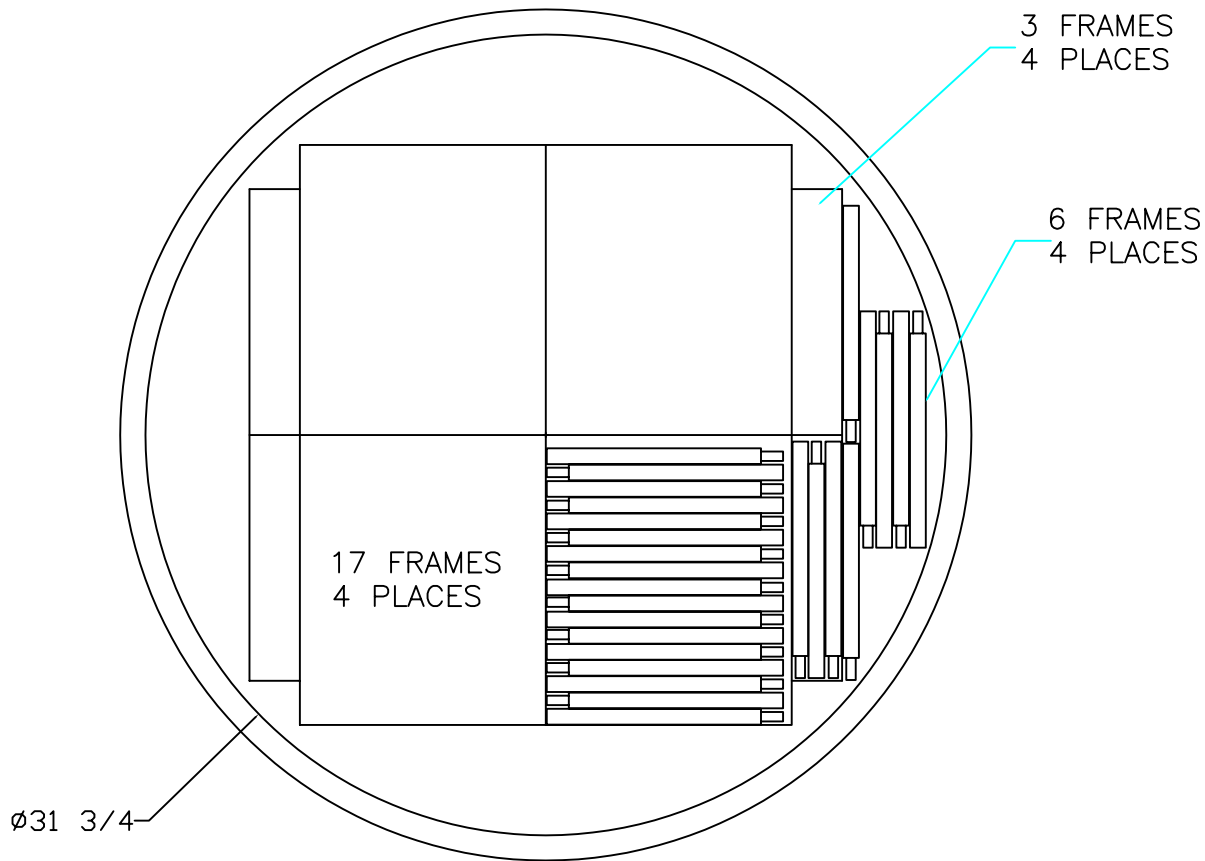
SCALE: **NTS** DO NOT SCALE DRAWING SHEET: **1 of 1**

THE MATERIALS AND INFORMATION, INCLUDING THE PRINCIPLES OF DESIGN PRESENTED BY THIS PRINT, IS THE EXCLUSIVE PROPERTY OF CHART INDUSTRIES, INC., AND IS CONFIDENTIAL INFORMATION. ACCORDINGLY, THIS INFORMATION IS SUBMITTED TO YOU WITH THE AGREEMENT THAT IT IS NOT TO BE REPRODUCED, COPIED, OR LOANED, IN PART OR IN WHOLE, NOR IS THE INFORMATION TO BE RELAYED TO ANY COMPANY. ACCEPTANCE OF THIS DRAWING WILL BE CONSTRUED AS AN AGREEMENT TO THE ABOVE.

MAT'L  
  
FINISH P/N  
11742801

UNLESS OTHERWISE SPECIFIED  
DIMENSIONS ARE IN INCHES.  
TOLERANCES:  
FRACTIONS ± 1/16"  
ANGLES ± 1°  
2 PLACE DECIMAL ± .031  
3 PLACE DECIMAL ± .015

# DESIGNATES A NOTE REFERENCE.



BOM

| P/N      | DESCRIPTION | QTY |
|----------|-------------|-----|
| 10581005 | DIVIDER     | 1   |
| 10580766 | FRAMES      | 104 |
| 10580707 | CANISTERS   | 416 |

|                |         |             |                 |
|----------------|---------|-------------|-----------------|
| APP'VD         | DATE    |             |                 |
| DRAWN BY JRH   | 6/25/02 | XLC 1400    |                 |
| CHECKED BY     |         | USED ON     | 204,688         |
| PROJ.ENGR. JSB | 12/6/02 | APPLICATION | ORIGINAL ECR/ER |

| REV | APPV | ECR | REVISION | DESCRIPTION | BY | DATE |
|-----|------|-----|----------|-------------|----|------|
|     |      |     |          |             |    |      |

**CHART** CHART INDUSTRIES, INC.  
CANTON, GEORGIA 30114

THE MATERIALS AND INFORMATION, INCLUDING THE PRINCIPLES OF DESIGN PRESENTED BY THIS PRINT, IS THE EXCLUSIVE PROPERTY OF CHART INDUSTRIES, INC., AND IS CONFIDENTIAL INFORMATION. ACCORDINGLY, THIS INFORMATION IS SUBMITTED TO YOU WITH THE AGREEMENT THAT IT IS NOT TO BE REPRODUCED, COPIED, OR LOANED, IN PART OR IN WHOLE, NOR IS THE INFORMATION TO BE RELAYED TO ANY COMPANY. ACCEPTANCE OF THIS DRAWING WILL BE CONSTRUED AS AN AGREEMENT TO THE ABOVE.

MAT'L  
  
FINISH P/N  
11742819

UNLESS OTHERWISE SPECIFIED  
DIMENSIONS ARE IN INCHES.  
TOLERANCES:  
FRACTIONS ± 1/16"  
ANGLES ± 1°  
2 PLACE DECIMAL ± .031  
3 PLACE DECIMAL ± .015

|                                |                      |
|--------------------------------|----------------------|
| TITLE:<br><b>BAXTER 4R9955</b> |                      |
| DRAWING NO. <b>A-11742819</b>  | REV:                 |
| SCALE: <b>NTS</b>              | DO NOT SCALE DRAWING |
| SHEET: <b>1 of 1</b>           |                      |

# DESIGNATES A NOTE REFERENCE.

1 FRAME  
2 PLACES

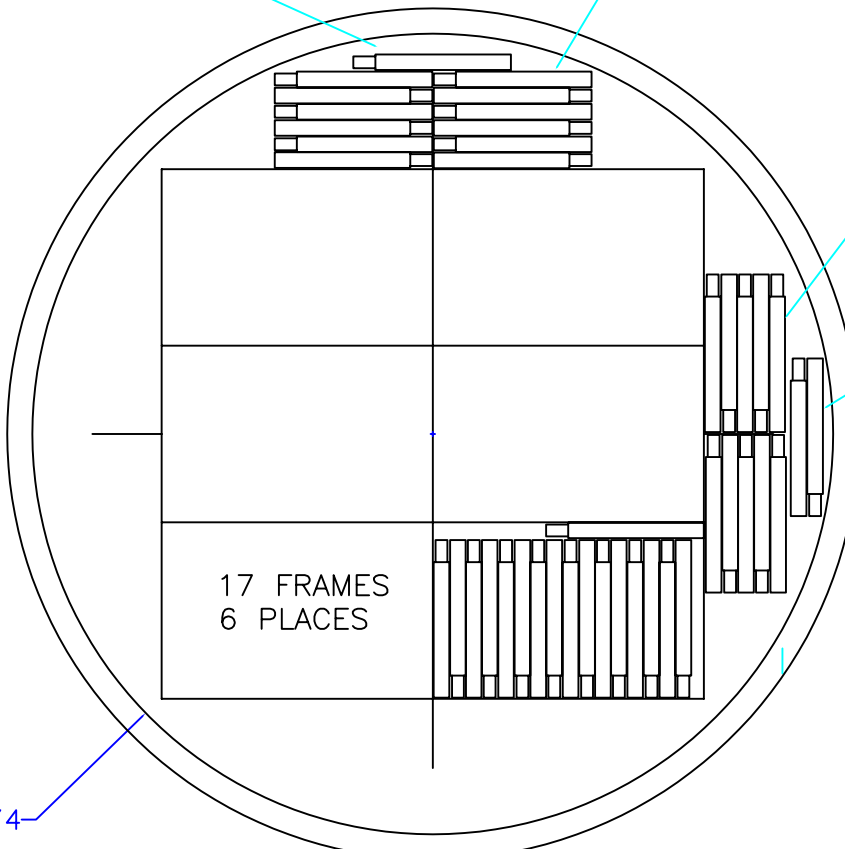
6 FRAMES  
4 PLACES

5 FRAMES  
4 PLACES

2 FRAMES  
2 PLACES

17 FRAMES  
6 PLACES

∅31 3/4



BOM

| P/N      | DESCRIPTION | QTY |
|----------|-------------|-----|
| 10857964 | DIVIDER     | 1   |
| 10823385 | FRAMES      | 152 |
| 10823393 | CANISTERS   | 912 |

|                |         |             |                 |
|----------------|---------|-------------|-----------------|
| APP'VD         | DATE    |             |                 |
| DRAWN BY JRH   | 6/25/02 | MVE 1400    |                 |
| CHECKED BY     |         | USED ON     | 204688          |
| PROJ.ENGR. JRH | 6/25/02 | APPLICATION | ORIGINAL ECR/ER |

| REV | APPV | ECR | REVISION DESCRIPTION | BY | DATE |
|-----|------|-----|----------------------|----|------|
|     |      |     |                      |    |      |

**CHART** CHART INDUSTRIES, INC.  
CANTON, GEORGIA 30114

TITLE:  
**BAXTER 4R9951**

DRAWING NO. **A-11742798** REV:

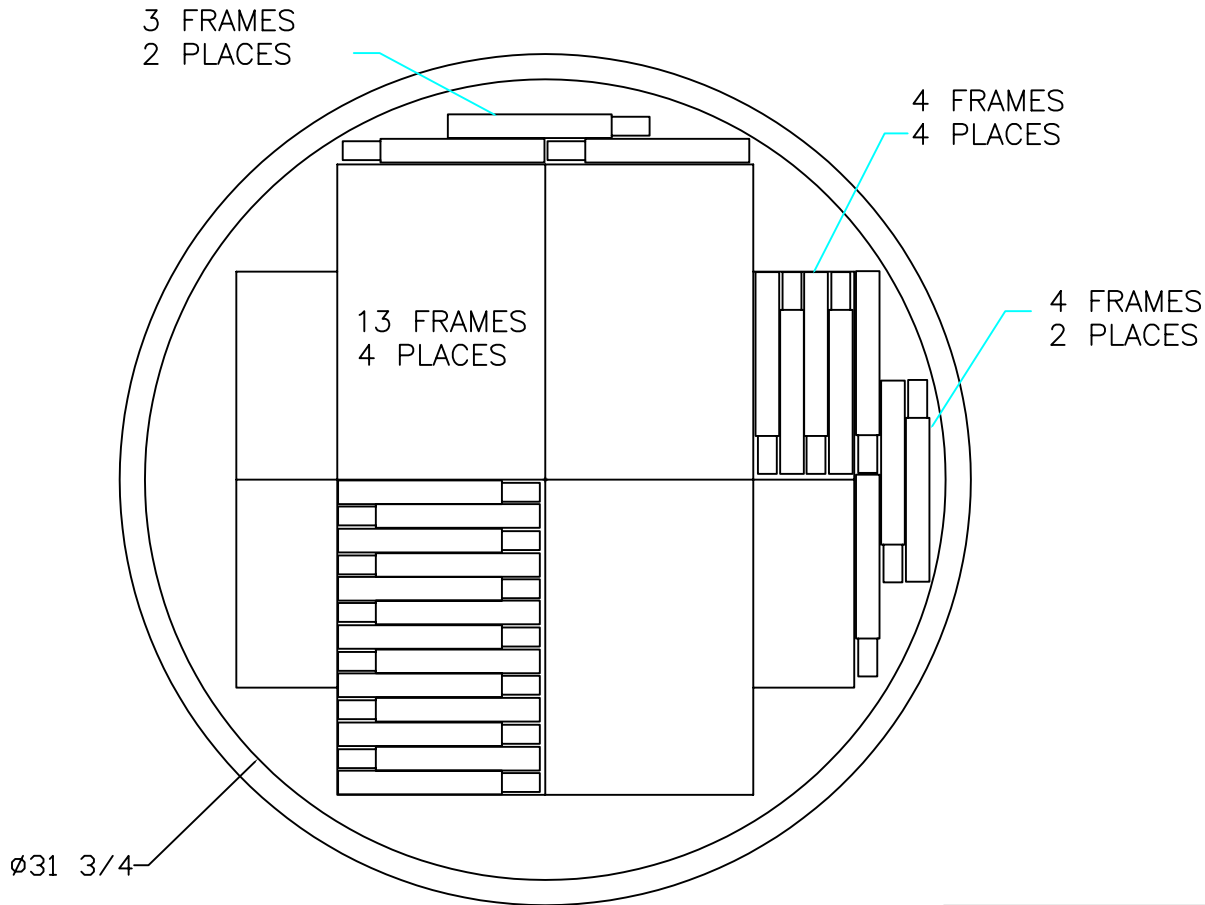
SCALE: **NTS** DO NOT SCALE DRAWING SHEET: **1 of 1**

THE MATERIALS AND INFORMATION, INCLUDING THE PRINCIPLES OF DESIGN PRESENTED BY THIS PRINT, IS THE EXCLUSIVE PROPERTY OF CHART INDUSTRIES, INC., AND IS CONFIDENTIAL INFORMATION. ACCORDINGLY, THIS INFORMATION IS SUBMITTED TO YOU WITH THE AGREEMENT THAT IT IS NOT TO BE REPRODUCED, COPIED, OR LOANED, IN PART OR IN WHOLE, NOR IS THE INFORMATION TO BE RELAYED TO ANY COMPANY. ACCEPTANCE OF THIS DRAWING WILL BE CONSTRUED AS AN AGREEMENT TO THE ABOVE.

MAT'L  
  
**FINISH P/N  
11742798**

UNLESS OTHERWISE SPECIFIED  
DIMENSIONS ARE IN INCHES.  
TOLERANCES:  
FRACTIONS ± 1/16"  
ANGLES ± 1°  
2 PLACE DECIMAL ± .031  
3 PLACE DECIMAL ± .015

# DESIGNATES A NOTE REFERENCE.



BOM

| P/N      | DESCRIPTION | QTY |
|----------|-------------|-----|
| 10581013 | DIVIDER     | 1   |
| 10580782 | FRAMES      | 82  |
| 10580715 | CANISTERS   | 328 |

|               |         |             |                 |
|---------------|---------|-------------|-----------------|
| APP'VD        | DATE    |             |                 |
| DRAWN BY JRH  | 6/25/02 | XLC 1400    |                 |
| CHECKED BY    |         | USED ON     | 204,688         |
| PROJ.ENGR. JB | 12/6/02 | APPLICATION | ORIGINAL ECR/ER |

| REV | APPV | ECR | REVISION | DESCRIPTION | BY | DATE |
|-----|------|-----|----------|-------------|----|------|
|     |      |     |          |             |    |      |

THE MATERIALS AND INFORMATION, INCLUDING THE PRINCIPLES OF DESIGN PRESENTED BY THIS PRINT, IS THE EXCLUSIVE PROPERTY OF CHART INDUSTRIES, INC., AND IS CONFIDENTIAL INFORMATION. ACCORDINGLY, THIS INFORMATION IS SUBMITTED TO YOU WITH THE AGREEMENT THAT IT IS NOT TO BE REPRODUCED, COPIED, OR LOANED, IN PART OR IN WHOLE, NOR IS THE INFORMATION TO BE RELAYED TO ANY COMPANY. ACCEPTANCE OF THIS DRAWING WILL BE CONSTRUED AS AN AGREEMENT TO THE ABOVE.

MAT'L  
  
FINISH P/N  
11742843

UNLESS OTHERWISE SPECIFIED DIMENSIONS ARE IN INCHES.  
TOLERANCES:  
FRACTIONS ± 1/16"  
ANGLES ± 1°  
2 PLACE DECIMAL ± .031  
3 PLACE DECIMAL ± .015



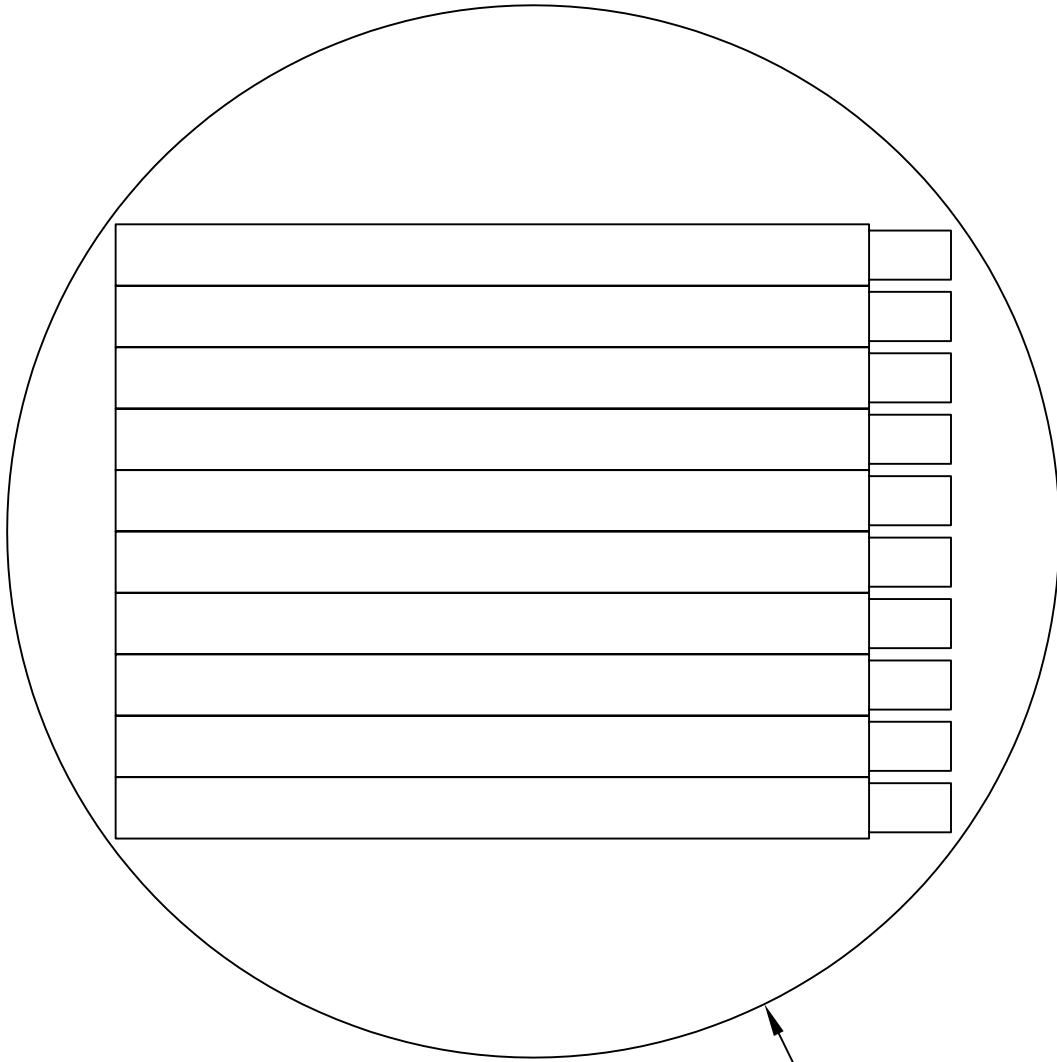
TITLE:  
**GRAMBRO DF-200**

DRAWING NO. **A-11742843** REV:

SCALE: **NTS** DO NOT SCALE DRAWING SHEET: **1 of 1**

# DESIGNATES A NOTE REFERENCE.

MVE 230 GEN 2  
GAMBRO DF-700  
CANISTER LAYOUT

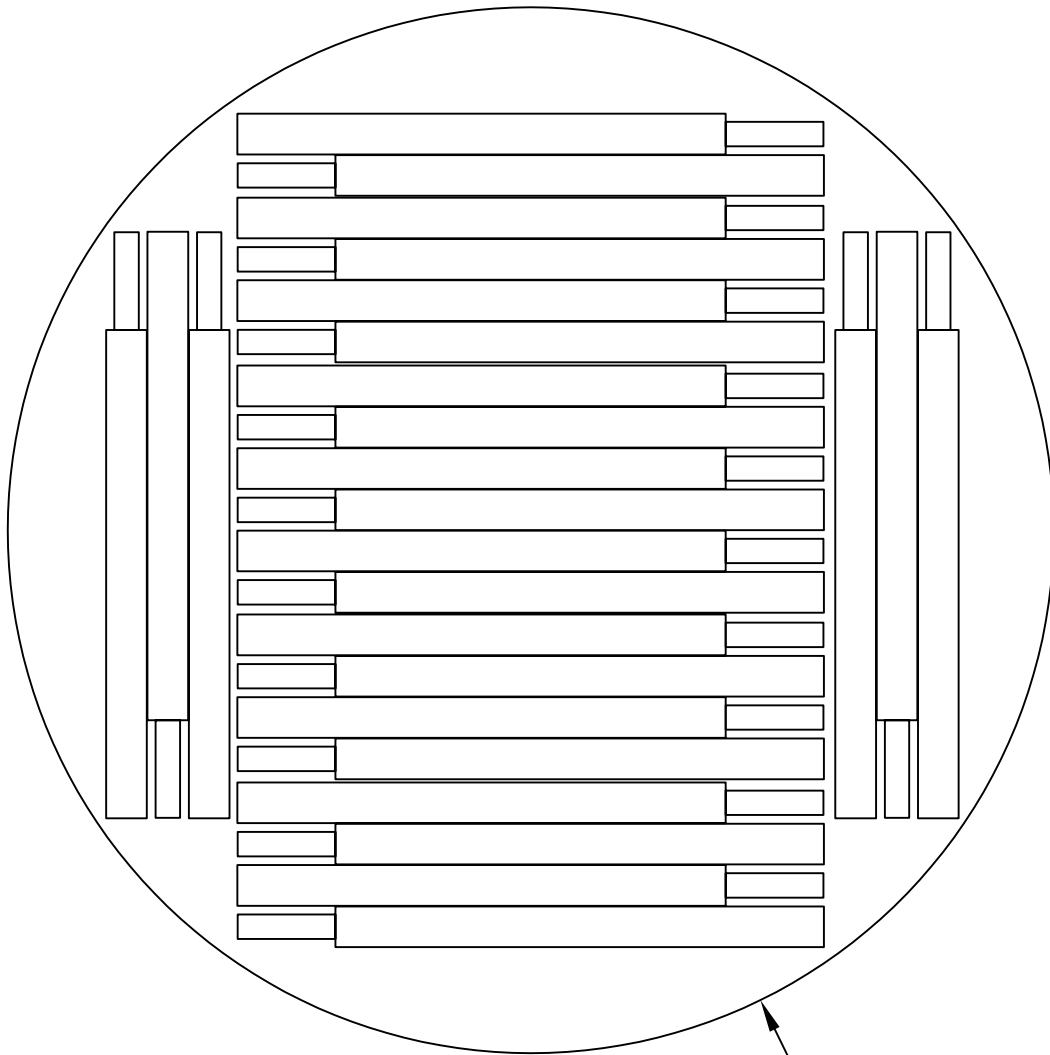


Ø16 1/16

BOM

| P/N      | DESCRIPTION | QTY |
|----------|-------------|-----|
| 10580803 | FRAMES      | 10  |
| 10580723 | CANISTERS   | 40  |

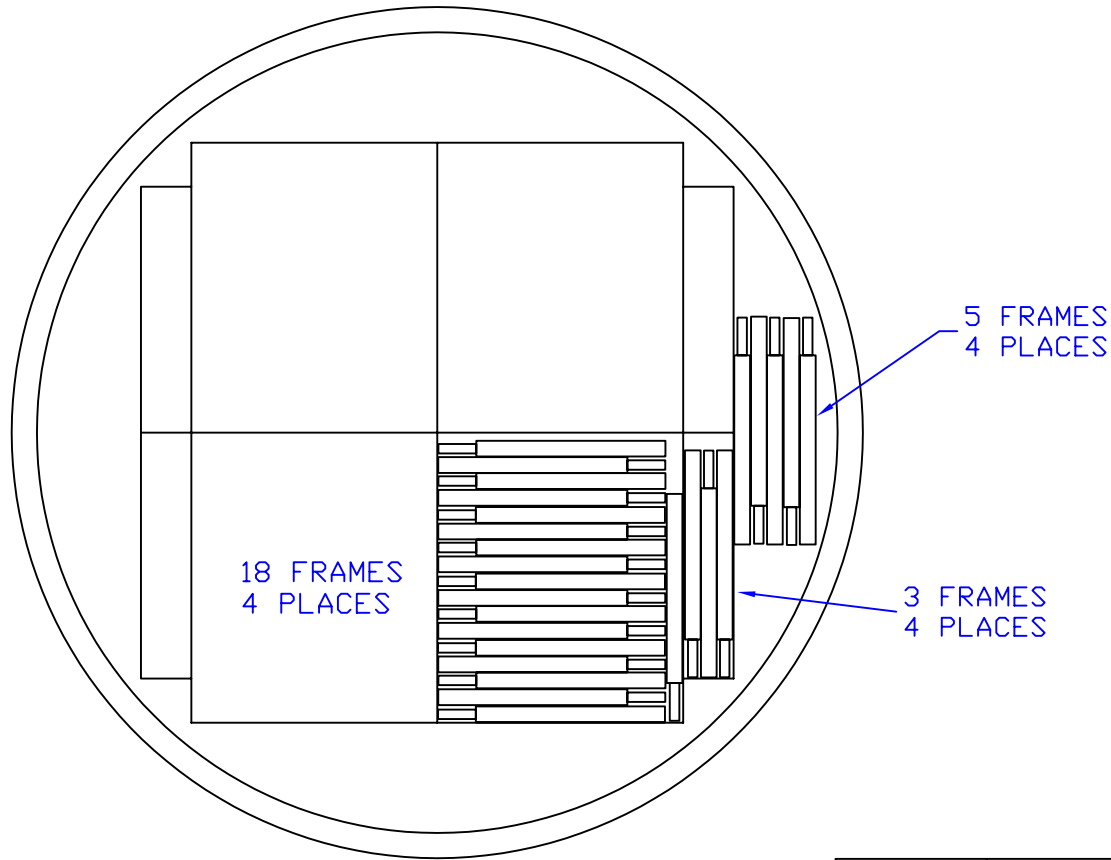
MVE 230 GEN 2  
CHARTERMED  
7005-2/7039-2/7303-2  
CANISTER LAYOUT



BOM

| P/N      | DESCRIPTION | QTY |
|----------|-------------|-----|
| 10969069 | FRAMES      | 26  |
| 10969077 | CANISTERS   | 78  |

Ø16 1/16



BOM

| P/N      | DESCRIPTION | QTY |
|----------|-------------|-----|
| 10581005 | DIVIDER     | 1   |
| 10969464 | FRAMES      | 104 |
| 10969472 | CANISTERS   | 312 |

|                |         |             |                 |
|----------------|---------|-------------|-----------------|
| APP'VD         | DATE    |             |                 |
| DRAWN BY JSB   | 6/25/02 | XLC 1400    |                 |
| CHECKED BY     |         | USED ON     | 204,688         |
| PROJ.ENGR. JSB | 12/6/02 | APPLICATION | ORIGINAL ECR/ER |

| REV | APPV | ECR | REVISION | DESCRIPTION | BY | DATE |
|-----|------|-----|----------|-------------|----|------|
|     |      |     |          |             |    |      |

**CHART** CHART INDUSTRIES, INC.  
CANTON, GEORGIA 30114

THE MATERIALS AND INFORMATION, INCLUDING THE PRINCIPLES OF DESIGN PRESENTED BY THIS PRINT, IS THE EXCLUSIVE PROPERTY OF CHART INDUSTRIES, INC., AND IS CONFIDENTIAL INFORMATION. ACCORDINGLY, THIS INFORMATION IS SUBMITTED TO YOU WITH THE AGREEMENT THAT IT IS NOT TO BE REPRODUCED, COPIED, OR LOANED, IN PART OR IN WHOLE, NOR IS THE INFORMATION TO BE RELAYED TO ANY COMPANY. ACCEPTANCE OF THIS DRAWING WILL BE CONSTRUED AS AN AGREEMENT TO THE ABOVE.

# DESIGNATES A NOTE REFERENCE.

MAT'L  
  
FINISH P/N  
11742835

UNLESS OTHERWISE SPECIFIED DIMENSIONS ARE IN INCHES.  
TOLERANCES:  
FRACTIONS ± 1/16"  
ANGLES ± 1°  
2 PLACE DECIMAL ± .031  
3 PLACE DECIMAL ± .015

|   |                      |               |
|---|----------------------|---------------|
| TITLE:<br>CHARTERMED 7400-2,7410-2,7403-2 |                      |               |
| DRAWING NO. <b>A-11742835</b>             | REV:                 |               |
| SCALE: NTS                                | DO NOT SCALE DRAWING | SHEET: 1 of 1 |