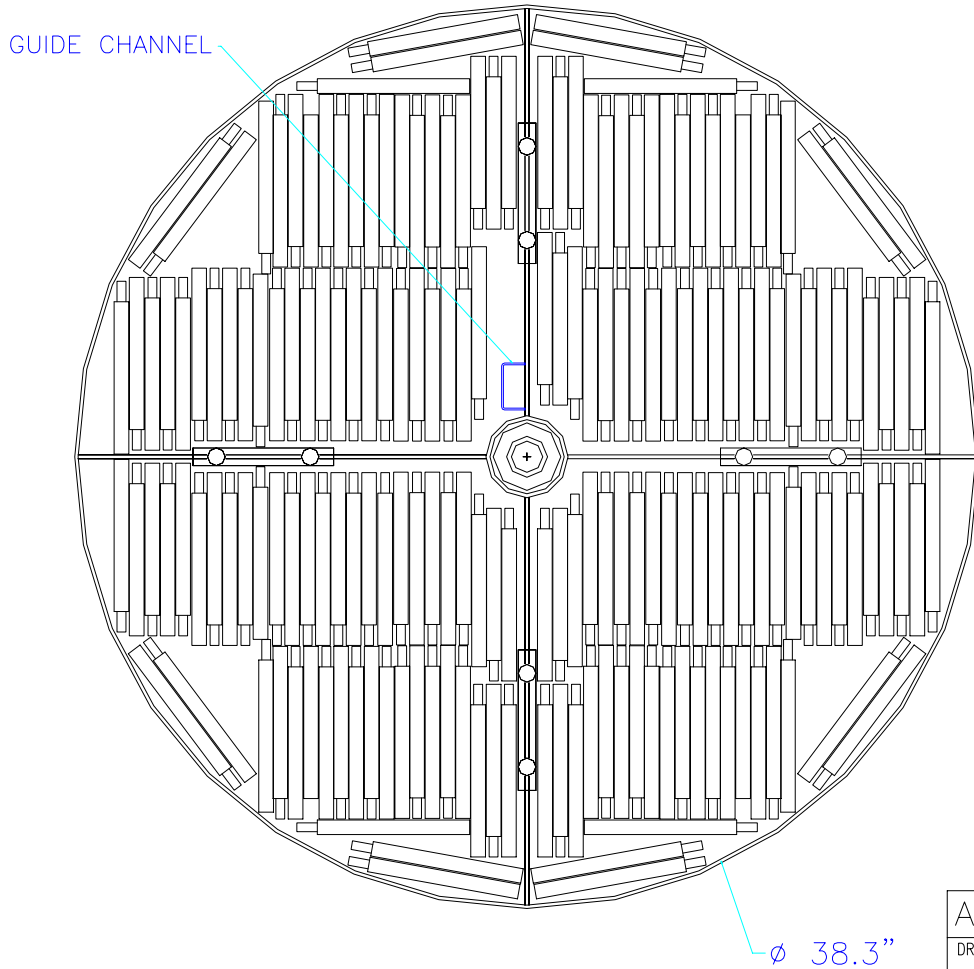


DRAWING NO. **A-10581494**



BOM

P/N	DESCRIPTION	QTY
10580740	FRAMES	190
10580694	CANISTERS	760

APP'VD	DATE		
DRAWN BY CB	7-31-95	XLC 1520 HE	

CHECKED BY		USED ON	
PROJ.ENGR.		APPLICATION	

REV	APPV	ECR	REVISION DESCRIPTION	BY	DATE
A		201,970	REVISED LAYOUT	JSB	3/5/98
B		204,688	REVISED LAYOUT	JRH	7/02/02

MVE CRYOGENICS
 MVE INC.
 CANTON, GEORGIA 30114

TITLE: **BAXTER 4R9953**

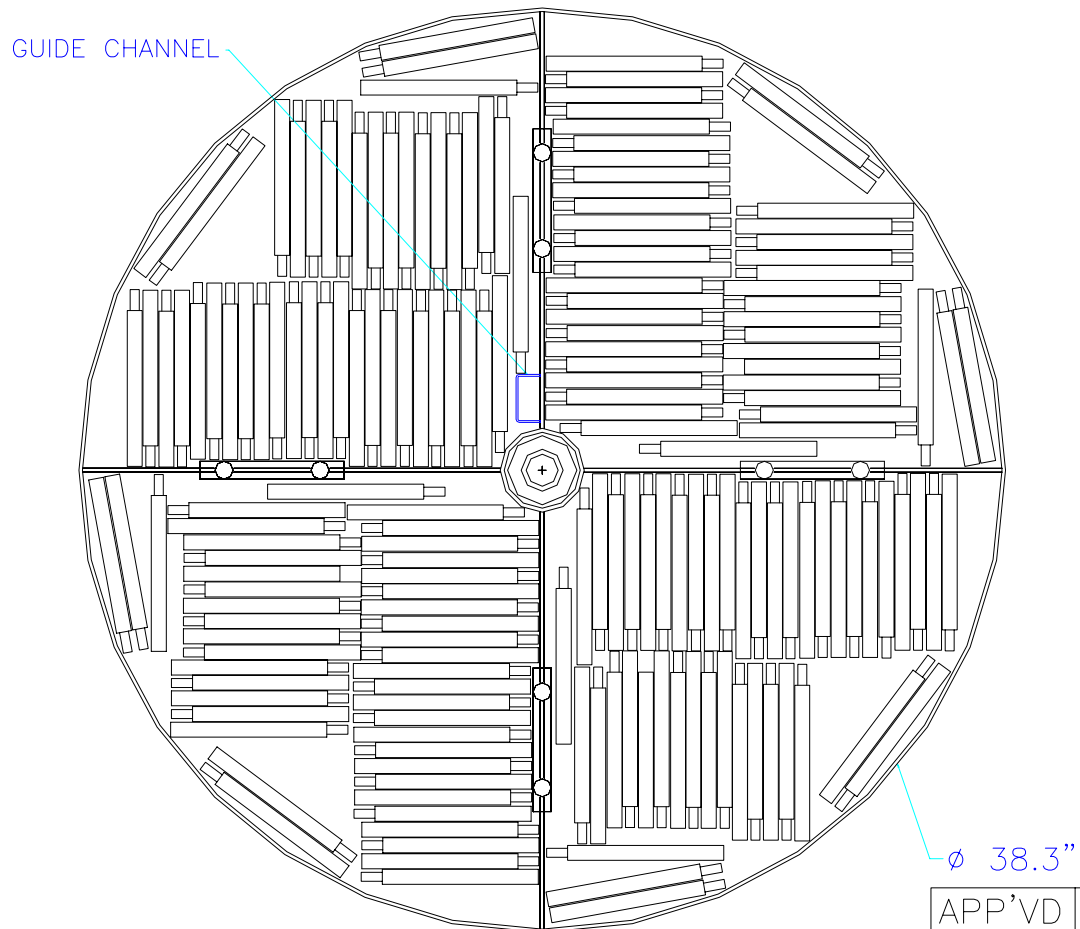
DRAWING NO. **A-10581494** REV: **B**

SCALE: **1/8"=1** DO NOT SCALE DRAWING SHEET: **1 of 1**

THE MATERIALS AND INFORMATION, INCLUDING THE PRINCIPLES OF DESIGN PRESENTED BY THIS PRINT, IS THE EXCLUSIVE PROPERTY OF MINNESOTA VALLEY ENGINEERING, AND IS CONFIDENTIAL INFORMATION. ACCORDINGLY, THIS INFORMATION IS SUBMITTED TO YOU WITH THE AGREEMENT THAT IT IS NOT TO BE REPRODUCED, COPIED, OR LOANED, IN PART OR IN WHOLE, NOR IS THE INFORMATION TO BE RELAYED TO ANY COMPANY. ACCEPTANCE OF THIS DRAWING WILL BE CONSTRUED AS AN AGREEMENT TO THE ABOVE.

MAT'L
FINISH P/N 10581494

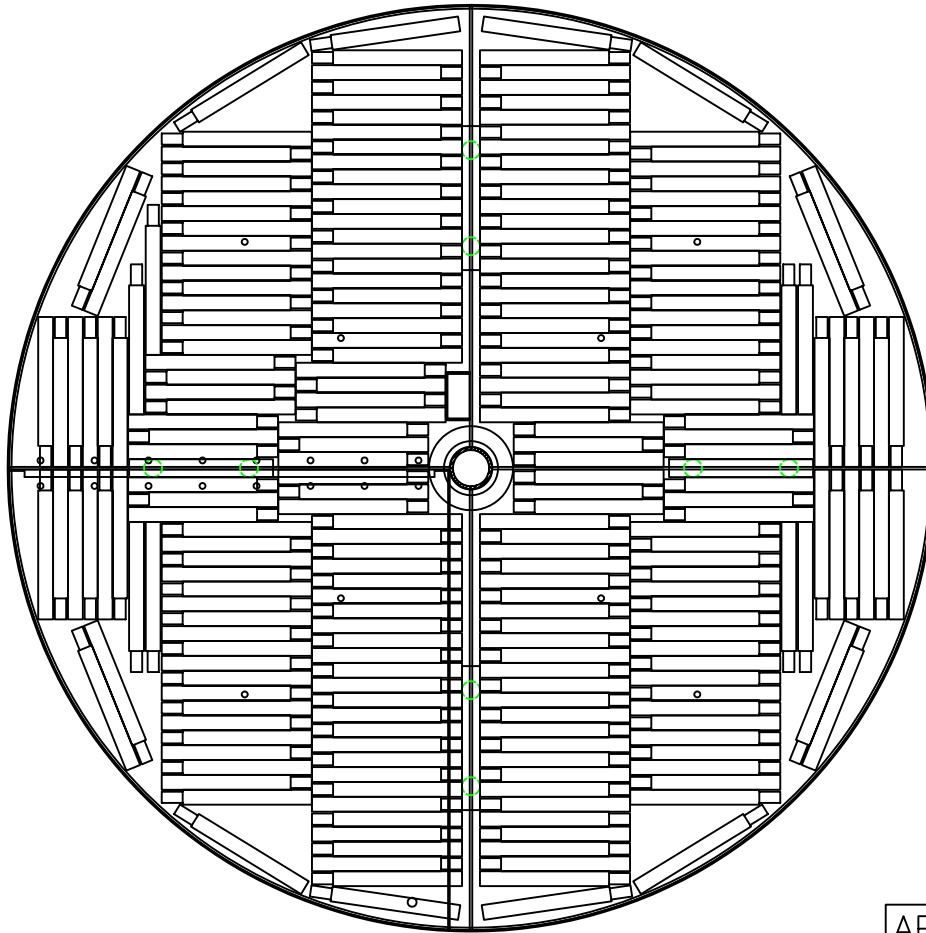
UNLESS OTHERWISE SPECIFIED DIMENSIONS ARE IN INCHES.
 TOLERANCES:
 FRACTIONS ±
 ANGLES ±
 2 PLACE DECIMAL ±
 3 PLACE DECIMAL ±



BOM


P/N	DESCRIPTION	QTY
10580766	FRAMES	180
10580707	CANISTERS	720

					APP'VD	DATE			
					DRAWN BY CB	7-31-95	XLC 1520 HE		
					CHECKED BY		USED ON		
					PROJ.ENGR.		APPLICATION		
A		201,970	REVISED LAYOUT	JSB	3/6/98				
B		204,688	REVISED LAYOUT	JRH	7/2/02				
REV	APPV	ECR	REVISION DESCRIPTION	BY	DATE				
<p>THE MATERIALS AND INFORMATION, INCLUDING THE PRINCIPLES OF DESIGN PRESENTED BY THIS PRINT, IS THE EXCLUSIVE PROPERTY OF MINNESOTA VALLEY ENGINEERING, AND IS CONFIDENTIAL INFORMATION. ACCORDINGLY, THIS INFORMATION IS SUBMITTED TO YOU WITH THE AGREEMENT THAT IT IS NOT TO BE REPRODUCED, COPIED, OR LOANED, IN PART OR IN WHOLE, NOR IS THE INFORMATION TO BE RELAYED TO ANY COMPANY. ACCEPTANCE OF THIS DRAWING WILL BE CONSTRUED AS AN AGREEMENT TO THE ABOVE.</p>				<p>MAT'L</p> <p>FINISH P/N 10581507</p>		<p>UNLESS OTHERWISE SPECIFIED DIMENSIONS ARE IN INCHES. TOLERANCES: FRACTIONS ± ANGLES ± 2 PLACE DECIMAL ± 3 PLACE DECIMAL ±</p>			
						<p>MVE INC. CANTON, GEORGIA 30114</p>			
						<p>TITLE: BAXTER 4R9955</p>			
						<p>DRAWING NO. A-10581507</p>		<p>REV: B</p>	
						<p>SCALE: 1/8"=1</p>		<p>DO NOT SCALE DRAWING</p>	
						<p>SHEET: 1 of 1</p>			



BOM

P/N	DESCRIPTION	QTY
10823385	FRAMES	248
10823393	CANISTERS	1488

APP'VD	DATE			
DRAWN BY JSB	3/11/98	XLC 1520HE		
CHECKED BY		USED ON	NA	
PROJ.ENGR.		APPLICATION	ORIGINAL ECR/ER	
		 CHART INDUSTRIES, INC. CANTON, GEORGIA 30114		
		TITLE: BAXTER 4R9951		
		DRAWING NO. A-10969245	REV: A	
		SCALE: 1/8=1	DO NOT SCALE DRAWING	SHEET: 1 of 1

REV	APPV	ECR	REVISION DESCRIPTION	BY	DATE
A		204688	REVISED LAYOUT AND QTYS	JSB	12/9/02

THE MATERIALS AND INFORMATION, INCLUDING THE PRINCIPLES OF DESIGN PRESENTED BY THIS PRINT, IS THE EXCLUSIVE PROPERTY OF CHART INDUSTRIES, INC., AND IS CONFIDENTIAL INFORMATION. ACCORDINGLY, THIS INFORMATION IS SUBMITTED TO YOU WITH THE AGREEMENT THAT IT IS NOT TO BE REPRODUCED, COPIED, OR LOANED, IN PART OR IN WHOLE, NOR IS THE INFORMATION TO BE RELAYED TO ANY COMPANY. ACCEPTANCE OF THIS DRAWING WILL BE CONSTRUED AS AN AGREEMENT TO THE ABOVE.

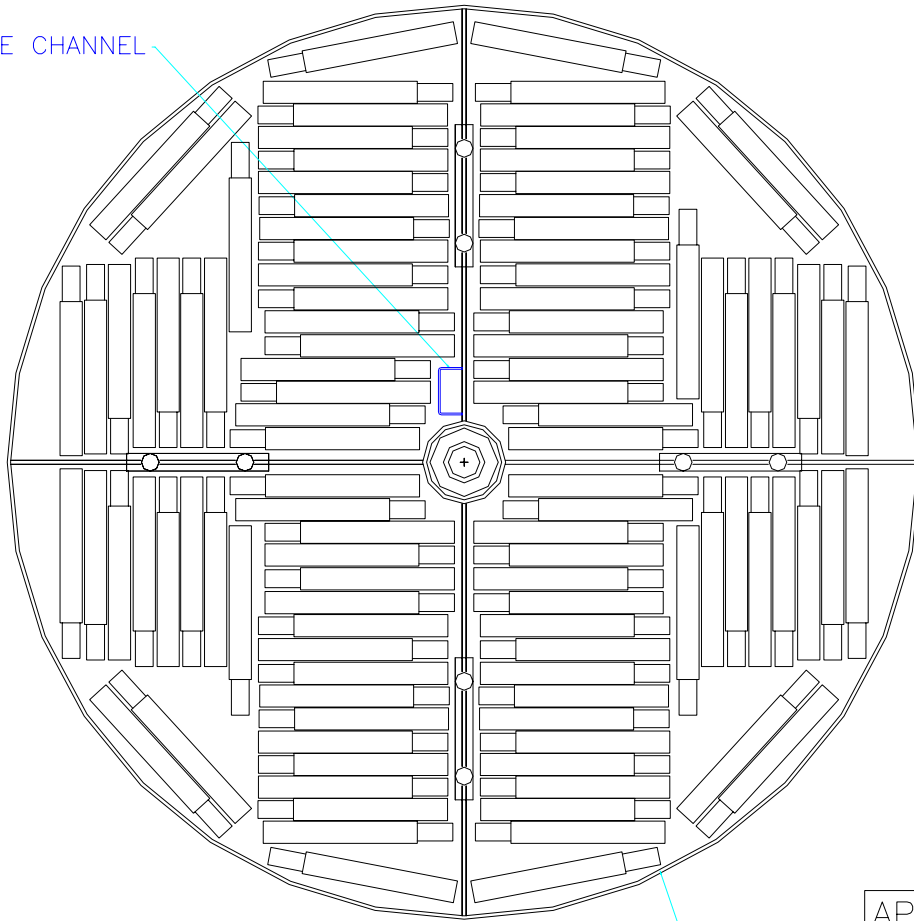
DESIGNATES A NOTE REFERENCE.

MAT'L

FINISH P/N
10969245

UNLESS OTHERWISE SPECIFIED DIMENSIONS ARE IN INCHES.
TOLERANCES:
FRACTIONS $\pm 1/16"$
ANGLES $\pm 1^\circ$
2 PLACE DECIMAL $\pm .031$
3 PLACE DECIMAL $\pm .015$

GUIDE CHANNEL



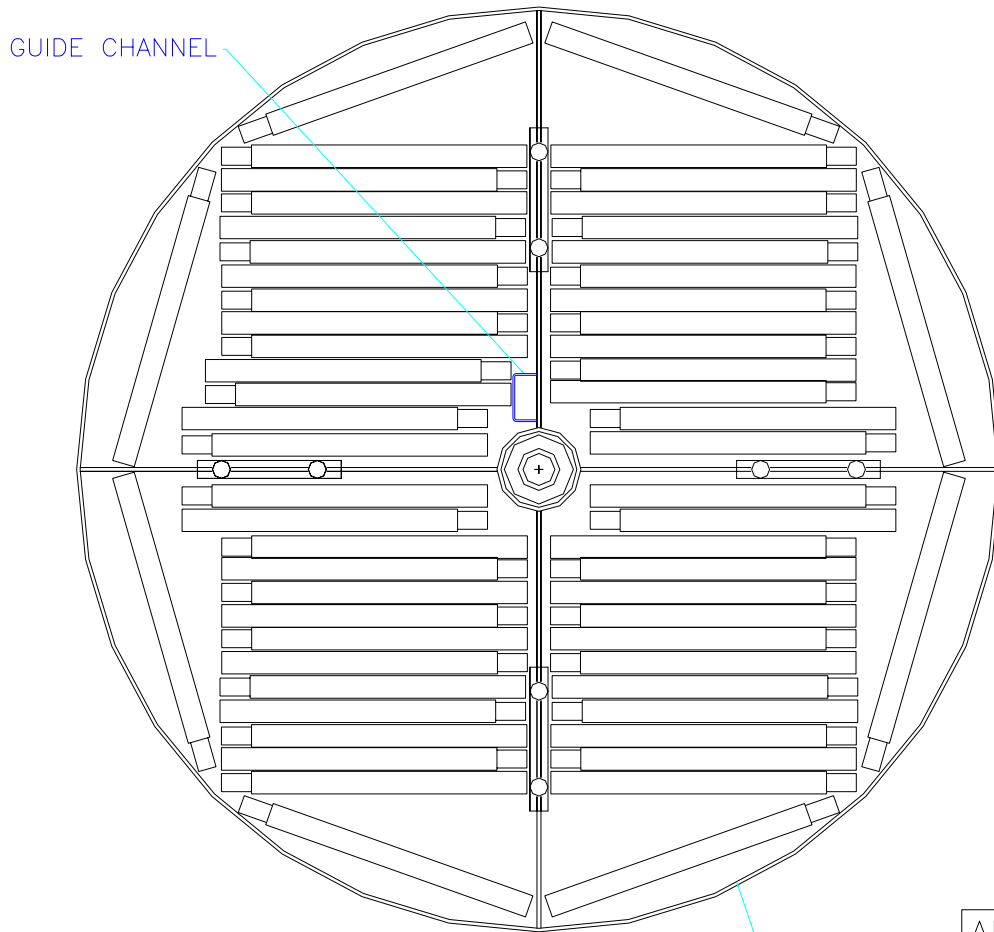
BOM

P/N	DESCRIPTION	QTY
10580782	FRAMES	108
10580715	CANISTERS	432

ø 38.3"

A		201,970	REVISED LAYOUT	JSB	3/9/98	APP'VD	DATE			
B		204,688	REVISED LAYOUT	JRH	6/26/02	DRAWN BY	7-31-95	XLC 1520 HE		
REV	APPV	ECR	REVISION DESCRIPTION	BY	DATE	CHECKED BY		USED ON		
<p>THE MATERIALS AND INFORMATION, INCLUDING THE PRINCIPLES OF DESIGN PRESENTED BY THIS PRINT, IS THE EXCLUSIVE PROPERTY OF MINNESOTA VALLEY ENGINEERING, AND IS CONFIDENTIAL INFORMATION. ACCORDINGLY, THIS INFORMATION IS SUBMITTED TO YOU WITH THE AGREEMENT THAT IT IS NOT TO BE REPRODUCED, COPIED, OR LOANED, IN PART OR IN WHOLE, NOR IS THE INFORMATION TO BE RELAYED TO ANY COMPANY. ACCEPTANCE OF THIS DRAWING WILL BE CONSTRUED AS AN AGREEMENT TO THE ABOVE.</p>				<p>MAT'L</p> <p>FINISH P/N 10581515</p>		PROJ.ENGR.		APPLICATION		
								<p>MVE INC. CANTON, GEORGIA 30114</p>		
						<p>UNLESS OTHERWISE SPECIFIED DIMENSIONS ARE IN INCHES. TOLERANCES: FRACTIONS ± ANGLES ± 2 PLACE DECIMAL ± 3 PLACE DECIMAL ±</p>		<p>TITLE: GAMBRO DF-200</p>		
						<p>DRAWING NO. A-10581515</p>		<p>REV: B</p>		
						<p>SCALE: 1/8"=1</p>		<p>DO NOT SCALE DRAWING</p>		<p>SHEET: 1 of 1</p>

DRAWING NO. A-10581523



BOM

P/N	DESCRIPTION	QTY
10580803	FRAMES	60
10580723	CANISTERS	240

∅ 38.3"

APP'VD	DATE		
DRAWN BY CB	7-31-95	XLC 1520 HE	
CHECKED BY		USED ON	
PROJ.ENGR.		APPLICATION	

REV	APPV	ECR	REVISION DESCRIPTION	BY	DATE
A		201,970	REVISED LAYOUT	JSB	3/10/98
B		204,688	REVISED LAYOUT	JRH	6/26/02



MVE INC.
CANTON, GEORGIA 30114

THE MATERIALS AND INFORMATION, INCLUDING THE PRINCIPLES OF DESIGN PRESENTED BY THIS PRINT, IS THE EXCLUSIVE PROPERTY OF MINNESOTA VALLEY ENGINEERING, AND IS CONFIDENTIAL INFORMATION. ACCORDINGLY, THIS INFORMATION IS SUBMITTED TO YOU WITH THE AGREEMENT THAT IT IS NOT TO BE REPRODUCED, COPIED, OR LOANED, IN PART OR IN WHOLE, NOR IS THE INFORMATION TO BE RELAYED TO ANY COMPANY. ACCEPTANCE OF THIS DRAWING WILL BE CONSTRUED AS AN AGREEMENT TO THE ABOVE.

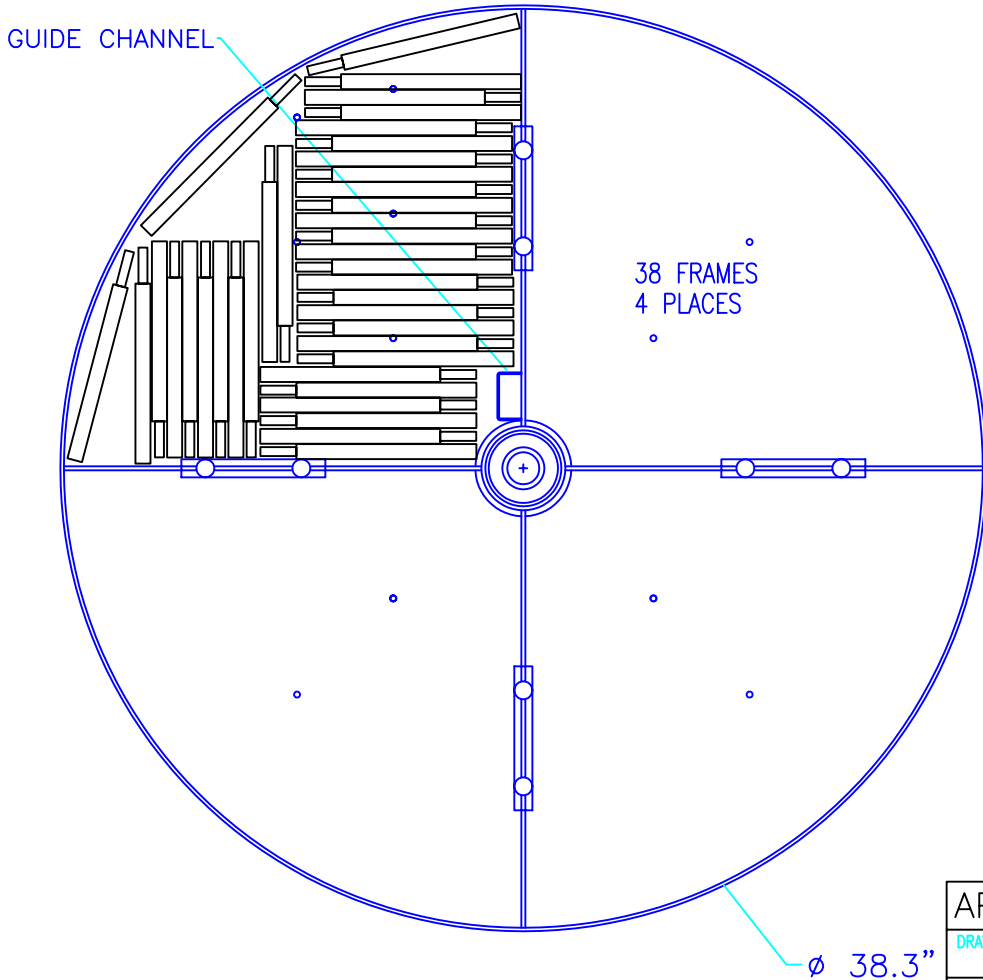
MAT'L

FINISH P/N
10581523

UNLESS OTHERWISE SPECIFIED DIMENSIONS ARE IN INCHES.
TOLERANCES:
FRACTIONS ±
ANGLES ±
2 PLACE DECIMAL ±
3 PLACE DECIMAL ±

TITLE: GAMBRO DF-700

DRAWING NO. A-10581523	REV: B
SCALE: 1/8"=1	DO NOT SCALE DRAWING
SHEET: 1 of 1	



BOM

P/N	DESCRIPTION	QTY
10969069	FRAMES	152
10969077	CANISTERS	456

APP'VD	DATE		
DRAWN BY JSB	3/11/98	XLC 1520 HE	
CHECKED BY		USED ON	
PROJ.ENGR.			

A	204,688	REVISED LAYOUT	JRH	6/26/02
REV	APPV	ECR	REVISION DESCRIPTION	BY DATE

MVE CRYOGENICS
MVE INC.
CANTON, GEORGIA 30114

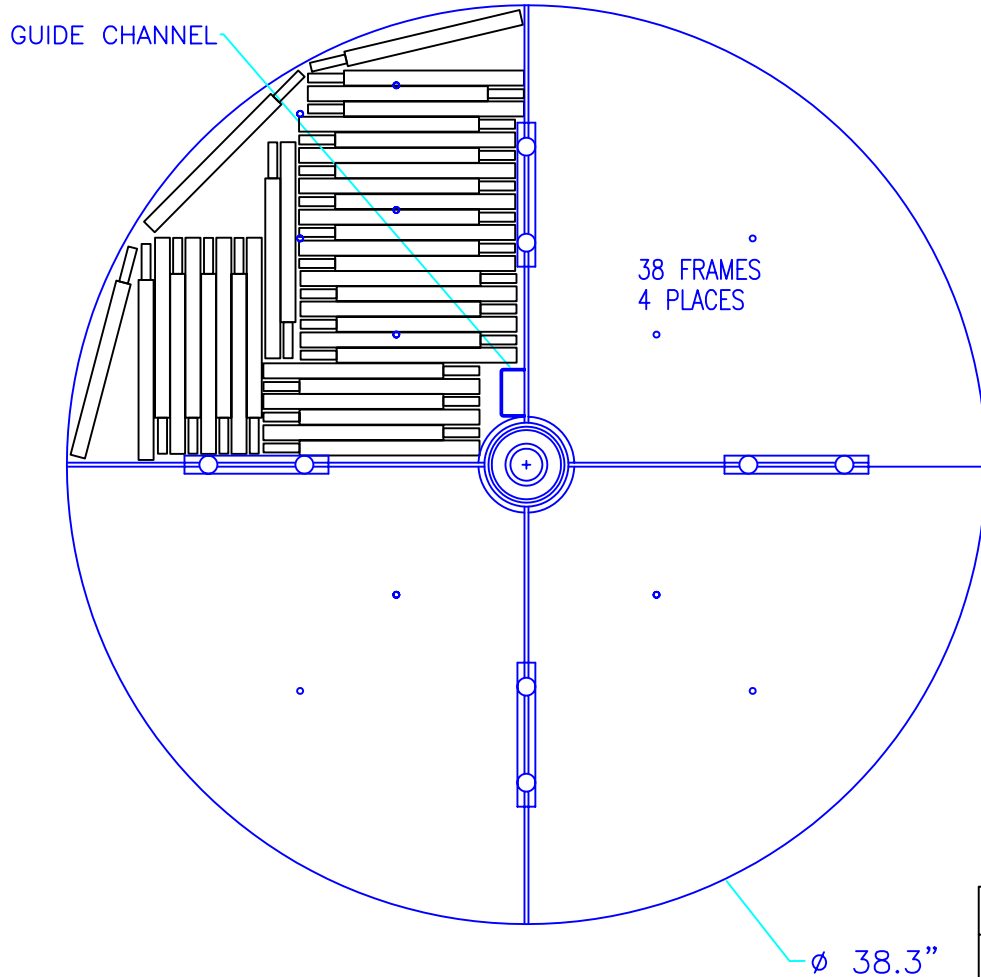
THE MATERIALS AND INFORMATION, INCLUDING THE PRINCIPLES OF DESIGN PRESENTED BY THIS PRINT, IS THE EXCLUSIVE PROPERTY OF MINNESOTA VALLEY ENGINEERING, AND IS CONFIDENTIAL INFORMATION. ACCORDINGLY, THIS INFORMATION IS SUBMITTED TO YOU WITH THE AGREEMENT THAT IT IS NOT TO BE REPRODUCED, COPIED, OR LOANED, IN PART OR IN WHOLE, NOR IS THE INFORMATION TO BE RELAYED TO ANY COMPANY. ACCEPTANCE OF THIS DRAWING WILL BE CONSTRUED AS AN AGREEMENT TO THE ABOVE.

MAT'L

FINISH P/N
10969384

UNLESS OTHERWISE SPECIFIED
DIMENSIONS ARE IN INCHES.
TOLERANCES:
FRACTIONS ±
ANGLES ±
2 PLACE DECIMAL ±
3 PLACE DECIMAL ±

TITLE: CHARTERMED 7005-2/7039-2/7303-2	
DRAWING NO. A-10969384	REV: A
SCALE: 1/8"=1	DO NOT SCALE DRAWING
SHEET: 1 of 1	



BOM

P/N	DESCRIPTION	QTY
10969481	FRAMES	152
10969472	CANISTERS	456

APP'VD	DATE		
DRAWN BY JSB	3/11/98	XLC 1520 HE	
CHECKED BY		USED ON	
PROJ.ENGR.			

A		204,688	REVISED LAYOUT	JRH	6/26/02
REV	APPV	ECR	REVISION DESCRIPTION	BY	DATE

MVE CRYOGENICS
MVE INC.
CANTON, GEORGIA 30114

THE MATERIALS AND INFORMATION, INCLUDING THE PRINCIPLES OF DESIGN PRESENTED BY THIS PRINT, IS THE EXCLUSIVE PROPERTY OF MINNESOTA VALLEY ENGINEERING, AND IS CONFIDENTIAL INFORMATION. ACCORDINGLY, THIS INFORMATION IS SUBMITTED TO YOU WITH THE AGREEMENT THAT IT IS NOT TO BE REPRODUCED, COPIED, OR LOANED, IN PART OR IN WHOLE, NOR IS THE INFORMATION TO BE RELAYED TO ANY COMPANY. ACCEPTANCE OF THIS DRAWING WILL BE CONSTRUED AS AN AGREEMENT TO THE ABOVE.

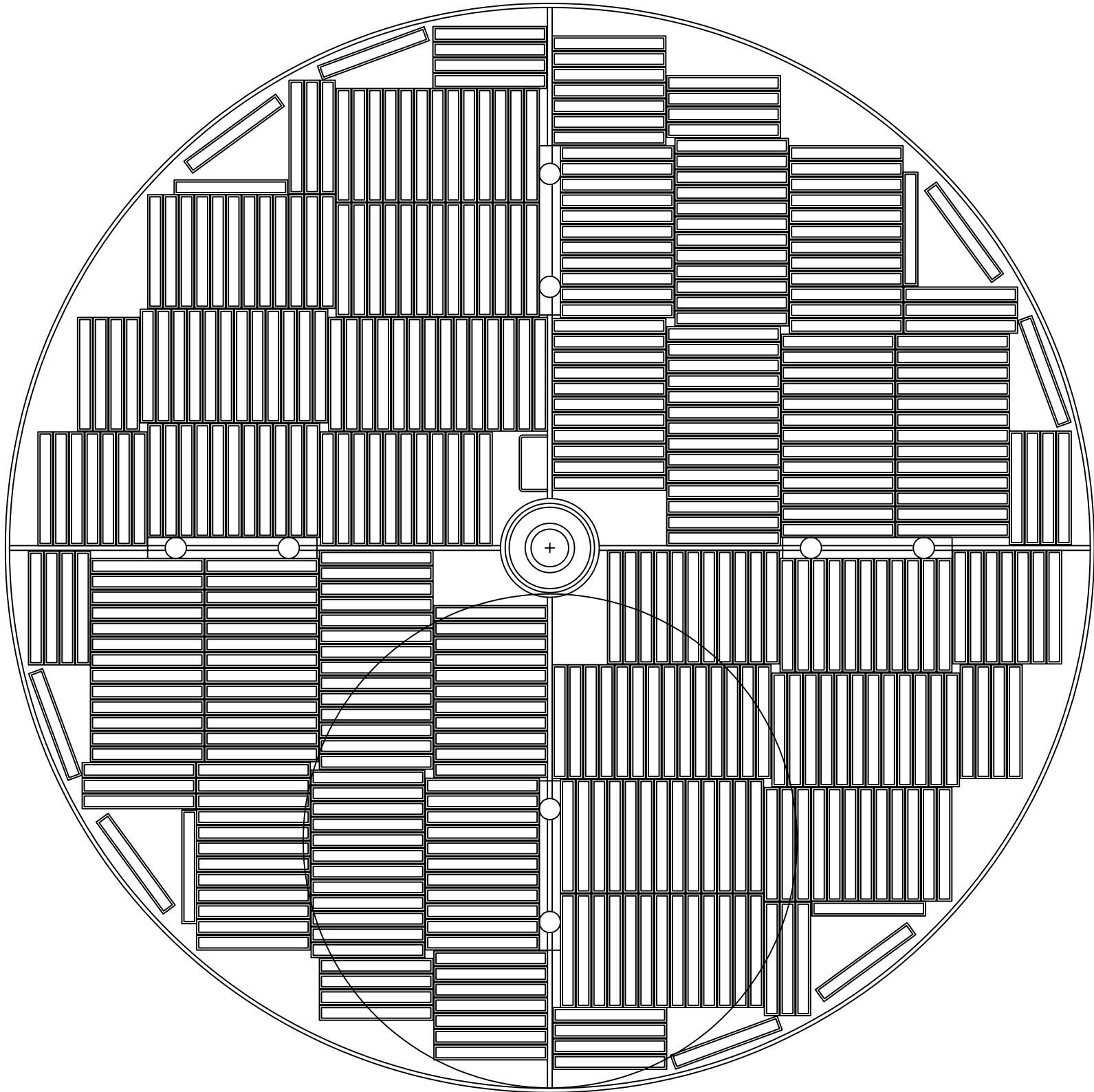
MAT'L

FINISH P/N
10969448

UNLESS OTHERWISE SPECIFIED
DIMENSIONS ARE IN INCHES.
TOLERANCES:
FRACTIONS ±
ANGLES ±
2 PLACE DECIMAL ±
3 PLACE DECIMAL ±

TITLE: CHARTERMED 7400-2/7410-2/7403-2	
DRAWING NO. A-10969448	REV: A
SCALE: 1/8"=1	DO NOT SCALE DRAWING
SHEET: 1 of 1	

1520HE MEDSEP
LAYOUT



428 FRAMES