

BOM

P/N	DESCRIPTION	QTY
10580897	DIVIDER	1
10580740	FRAMES	56
10580694	CANISTERS	224

APP'VD	DATE		
DRAWN BY DRB	11-16-94	XLC 500/511	
CHECKED BY		USED ON	
PROJ.ENGR.		APPLICATION	ORIGINAL ECR/ER

REV	APPV	ECR	REVISION DESCRIPTION	BY	DATE
A		201,970	REVISED QUANTITIES	JSB	2/21/97
B		204,688	REVISED LAYOUT	JRH	7/02/02

 MVE INC.
CANTON, GEORGIA 30114

TITLE: **BAXTER 4R9953**

DRAWING NO. **A-10581208** REV: **B**

SCALE: **1/4"=1"** DO NOT SCALE DRAWING SHEET: **1 of 1**

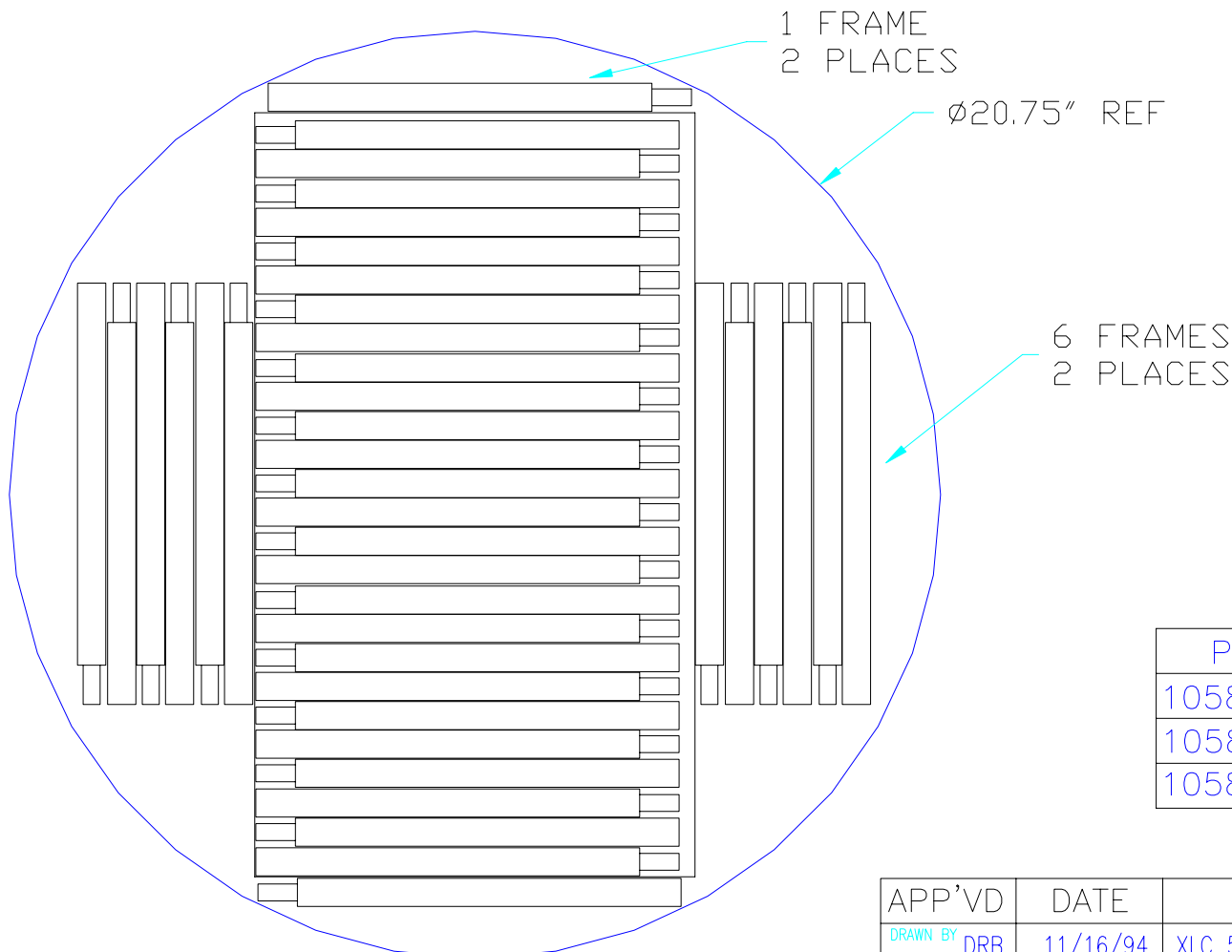
MAT'L
SEE BOM
FINISH P/N
10581208

THE MATERIALS AND INFORMATION, INCLUDING THE PRINCIPLES OF DESIGN PRESENTED BY THIS PRINT, IS THE EXCLUSIVE PROPERTY OF MINNESOTA VALLEY ENGINEERING, AND IS CONFIDENTIAL INFORMATION. ACCORDINGLY, THIS INFORMATION IS SUBMITTED TO YOU WITH THE AGREEMENT THAT IT IS NOT TO BE REPRODUCED, COPIED, OR LOANED, IN PART OR IN WHOLE, NOR IS THE INFORMATION TO BE RELAYED TO ANY COMPANY. ACCEPTANCE OF THIS DRAWING WILL BE CONSTRUED AS AN AGREEMENT TO THE ABOVE.

DESIGNATES A NOTE REFERENCE.

UNLESS OTHERWISE SPECIFIED
DIMENSIONS ARE IN INCHES.
TOLERANCES:
FRACTIONS ± 1/16"
ANGLES ± 1°
2 PLACE DECIMAL ± .031
3 PLACE DECIMAL ± .015

DRAWING NO. A-10581216



BOM

P/N	DESCRIPTION	QTY
10580900	DIVIDER	1
10580766	FRAMES	40
10580707	CANISTERS	160

APP'VD	DATE		
DRAWN BY DRB	11/16/94	XLC 500/511	
CHECKED BY		USED ON	201,???
PROJ.ENGR.		APPLICATION	ORIGINAL ECR/ER

REV	APPV	ECR	REVISION DESCRIPTION	BY	DATE
A		201,970	REVISED DIMENSIONS	JSB	3/5/98
B		204,688	REVISED LAYOUT	JRH	7/02/02

 MVE INC.
CANTON, GEORGIA 30114

THE MATERIALS AND INFORMATION, INCLUDING THE PRINCIPLES OF DESIGN PRESENTED BY THIS PRINT, IS THE EXCLUSIVE PROPERTY OF MINNESOTA VALLEY ENGINEERING, AND IS CONFIDENTIAL INFORMATION. ACCORDINGLY, THIS INFORMATION IS SUBMITTED TO YOU WITH THE AGREEMENT THAT IT IS NOT TO BE REPRODUCED, COPIED, OR LOANED, IN PART OR IN WHOLE, NOR IS THE INFORMATION TO BE RELAYED TO ANY COMPANY. ACCEPTANCE OF THIS DRAWING WILL BE CONSTRUED AS AN AGREEMENT TO THE ABOVE.

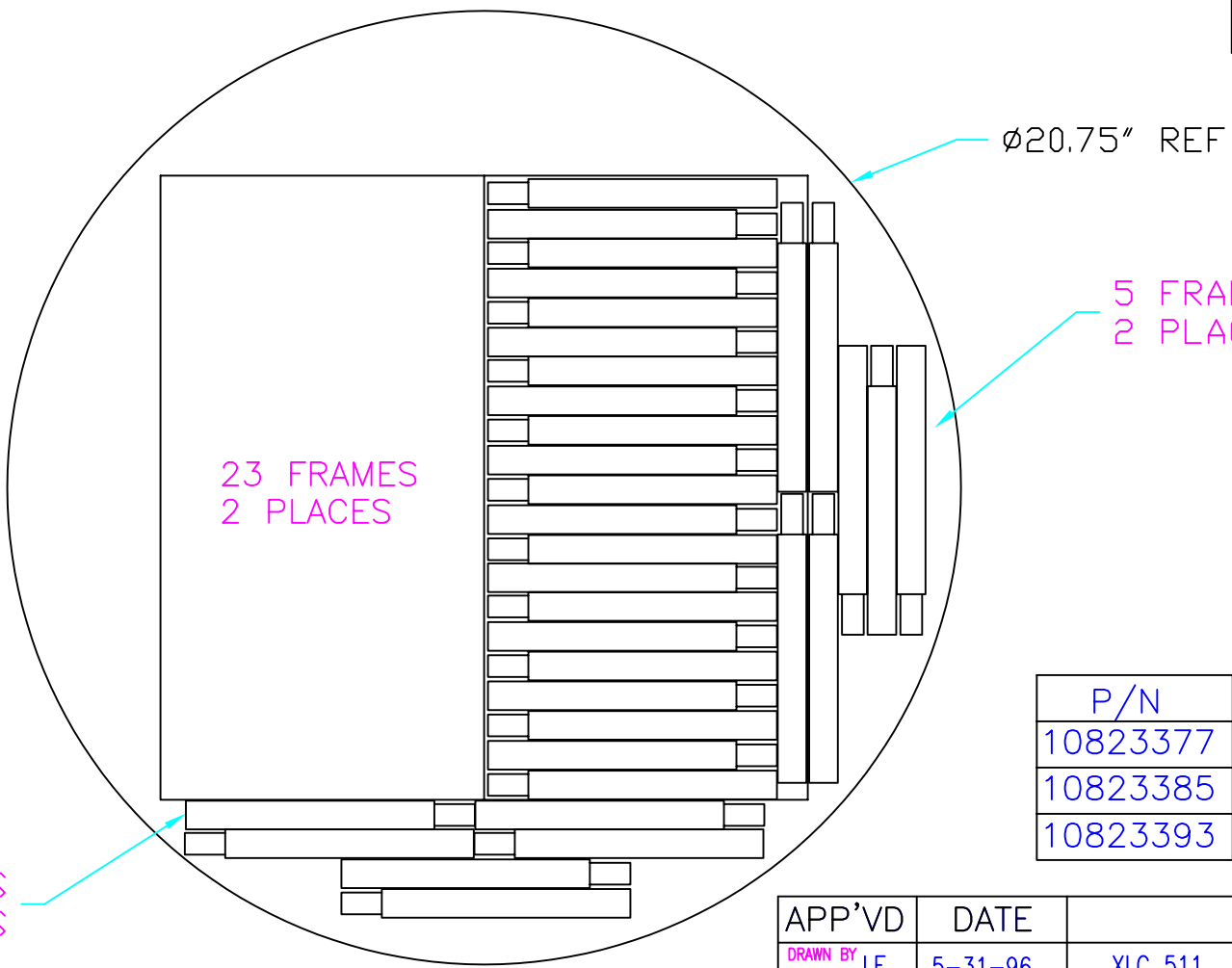
 DESIGNATES A NOTE REFERENCE.

MAT'L
SEE BOM

FINISH P/N
10581216

UNLESS OTHERWISE SPECIFIED DIMENSIONS ARE IN INCHES.
TOLERANCES:
FRACTIONS ± 1/16"
ANGLES ± 1°
2 PLACE DECIMAL ± .031
3 PLACE DECIMAL ± .015

TITLE: BAXTER 4R9955	
DRAWING NO. A-10581216	REV: B
SCALE: 1/4"=1"	DO NOT SCALE DRAWING
SHEET: 1 of 1	



5 FRAMES
2 PLACES


23 FRAMES
2 PLACES

6 FRAMES
2 PLACES

BOM

P/N	DESCRIPTION	QTY
10823377	DIVIDER	1
10823385	FRAMES	68
10823393	CANISTERS	408

B		204,688	REVISED DIVIDER	JRH	6/26/02
A		201,970	REVISED DIVIDER	JSB	3/10/98
REV	APPV	ECR	REVISION DESCRIPTION	BY	DATE

APP'VD	DATE		
DRAWN BY LF	5-31-96	XLC 511	
CHECKED BY		USED ON	
PROJ.ENGR.		APPLICATION	ORIGINAL ECR/ER
		 MVE INC. CANTON, GEORGIA 30114	
		TITLE: BAXTER 4R-9951 RACK LAYOUT	

THE MATERIALS AND INFORMATION, INCLUDING THE PRINCIPLES OF DESIGN PRESENTED BY THIS PRINT, IS THE EXCLUSIVE PROPERTY OF MINNESOTA VALLEY ENGINEERING, AND IS CONFIDENTIAL INFORMATION. ACCORDINGLY, THIS INFORMATION IS SUBMITTED TO YOU WITH THE AGREEMENT THAT IT IS NOT TO BE REPRODUCED, COPIED, OR LOANED, IN PART OR IN WHOLE, NOR IS THE INFORMATION TO BE RELAYED TO ANY COMPANY. ACCEPTANCE OF THIS DRAWING WILL BE CONSTRUED AS AN AGREEMENT TO THE ABOVE.

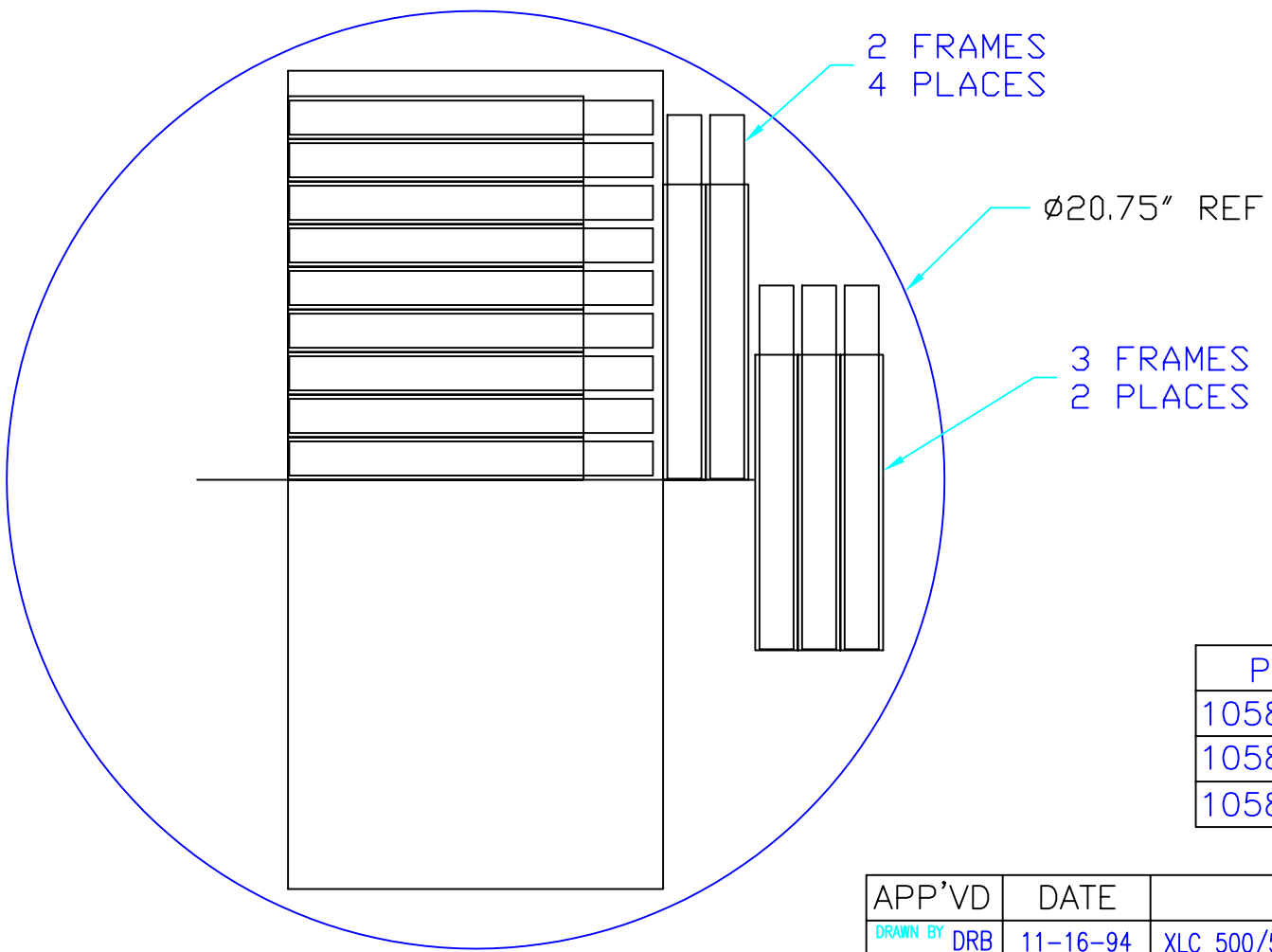
DESIGNATES A NOTE REFERENCE.

MAT'L
 SEE BOM
 FINISH P/N
 10823326

UNLESS OTHERWISE SPECIFIED
 DIMENSIONS ARE IN INCHES.
 TOLERANCES:
 FRACTIONS ± 1/16"
 ANGLES ± 1°
 2 PLACE DECIMAL ± .031
 3 PLACE DECIMAL ± .015

DRAWING NO.	A-10823326	REV:	B
SCALE:	1/4"=1"	DO NOT SCALE DRAWING	SHEET: 1 of 1

DRAWING NO. **A-10581224**



BOM

P/N	DESCRIPTION	QTY
10580918	DIVIDER	1
10580782	FRAMES	32
10580715	CANISTERS	128

APP'VD	DATE		
DRAWN BY DRB	11-16-94	XLC 500/511	
CHECKED BY		USED ON	201,???
PROJ.ENGR.		APPLICATION	ORIGINAL ECR/ER

A		201,970	REVISED DIVIDER	JSB	3/6/98
REV	APPV	ECR	REVISION DESCRIPTION	BY	DATE

 **MVE** INC.
CANTON, GEORGIA 30114

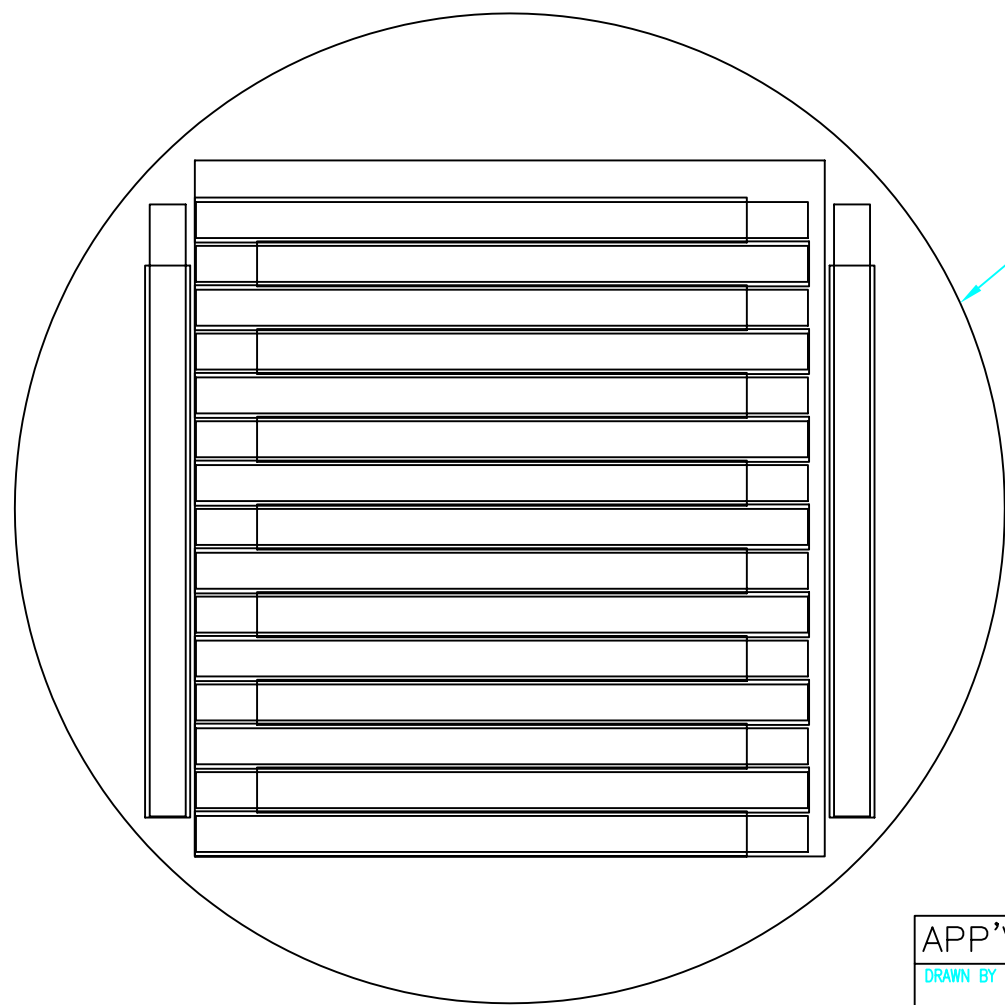
THE MATERIALS AND INFORMATION, INCLUDING THE PRINCIPLES OF DESIGN PRESENTED BY THIS PRINT, IS THE EXCLUSIVE PROPERTY OF MINNESOTA VALLEY ENGINEERING, AND IS CONFIDENTIAL INFORMATION. ACCORDINGLY, THIS INFORMATION IS SUBMITTED TO YOU WITH THE AGREEMENT THAT IT IS NOT TO BE REPRODUCED, COPIED, OR LOANED, IN PART OR IN WHOLE, NOR IS THE INFORMATION TO BE RELAYED TO ANY COMPANY. ACCEPTANCE OF THIS DRAWING WILL BE CONSTRUED AS AN AGREEMENT TO THE ABOVE.

DESIGNATES A NOTE REFERENCE.

MAT'L
SEE BOM
FINISH P/N
10581224

UNLESS OTHERWISE SPECIFIED
DIMENSIONS ARE IN INCHES.
TOLERANCES:
FRACTIONS ± 1/16"
ANGLES ± 1°
2 PLACE DECIMAL ± .031
3 PLACE DECIMAL ± .015

TITLE:	GAMBRO DF-200 RACK LAYOUT		
DRAWING NO.	A-10581224	REV:	A
SCALE:	DO NOT SCALE DRAWING	SHEET:	1 of 1



ø20.75" REF

BOM

P/N	DESCRIPTION	QTY
10580926	DIVIDER	1
10580803	FRAMES	17
10580723	CANISTERS	68

APP'VD	DATE		
DRAWN BY DRB	11-16-94	XLC 500/511	
CHECKED BY		USED ON	
PROJ.ENGR.		APPLICATION	ORIGINAL ECR/ER

A		201,970	REVISED DIVIDER	JSB	3/10/98
REV	APPV	ECR	REVISION DESCRIPTION	BY	DATE

THE MATERIALS AND INFORMATION, INCLUDING THE PRINCIPLES OF DESIGN PRESENTED BY THIS PRINT, IS THE EXCLUSIVE PROPERTY OF MINNESOTA VALLEY ENGINEERING, AND IS CONFIDENTIAL INFORMATION. ACCORDINGLY, THIS INFORMATION IS SUBMITTED TO YOU WITH THE AGREEMENT THAT IT IS NOT TO BE REPRODUCED, COPIED, OR LOANED, IN PART OR IN WHOLE, NOR IS THE INFORMATION TO BE RELAYED TO ANY COMPANY. ACCEPTANCE OF THIS DRAWING WILL BE CONSTRUED AS AN AGREEMENT TO THE ABOVE.


DESIGNATES A NOTE REFERENCE.

MAT'L

SEE BOM

FINISH P/N
10581232

UNLESS OTHERWISE SPECIFIED
DIMENSIONS ARE IN INCHES.
TOLERANCES:
FRACTIONS ± 1/16"
ANGLES ± 1°
2 PLACE DECIMAL ± .031
3 PLACE DECIMAL ± .015

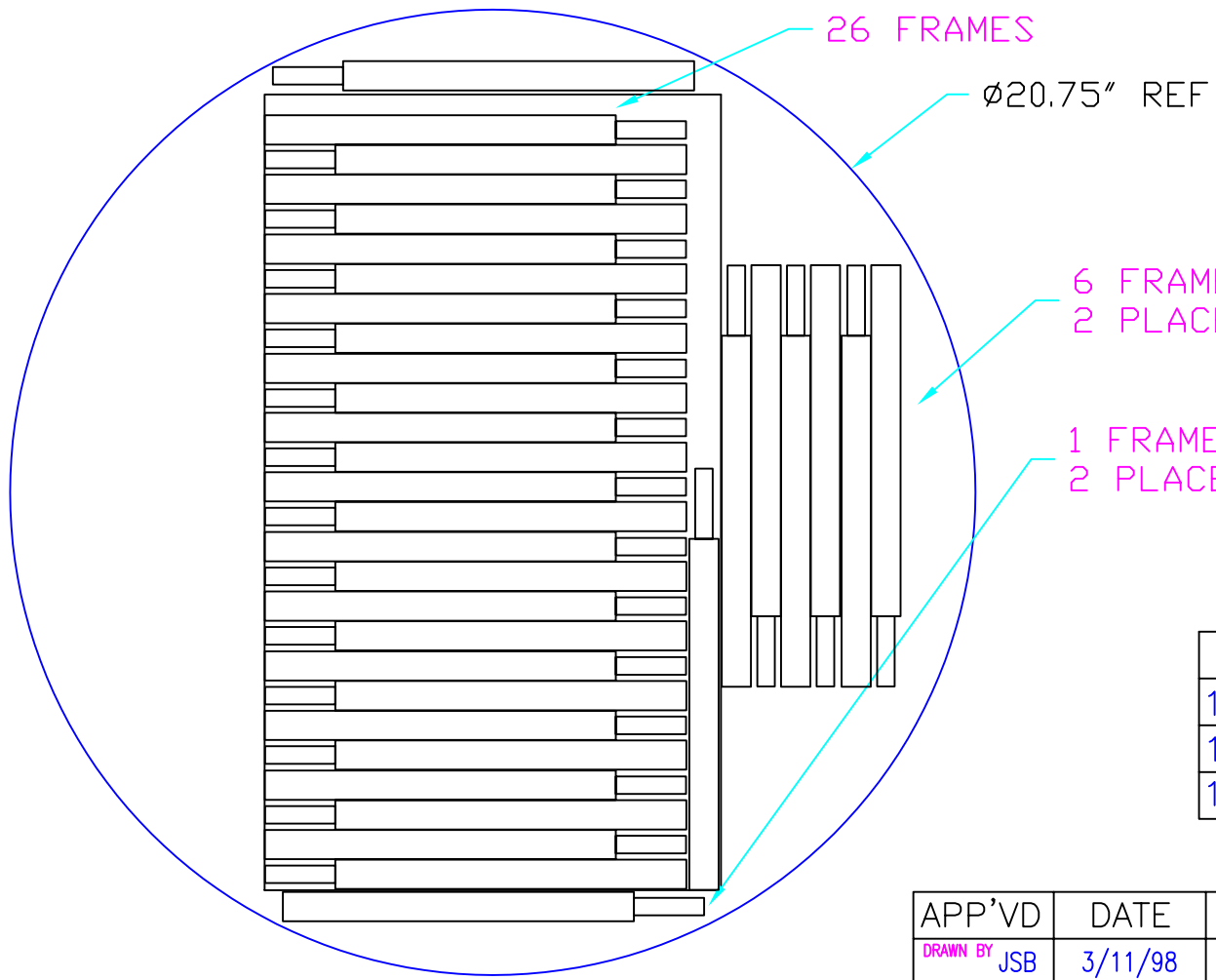


MVE INC.
CANTON, GEORGIA 30114

TITLE: **GAMBRO DF-700 RACK LAYOUT**

DRAWING NO. **A-10581232** REV: **A**

SCALE: **1/4"=1"** DO NOT SCALE DRAWING SHEET: **1 of 1**



6 FRAMES
2 PLACES

1 FRAME
2 PLACES

BOM

P/N	DESCRIPTION	QTY
10580900	DIVIDER	1
10969069	FRAMES	40
10969077	CANISTERS	120

APP'VD	DATE		
DRAWN BY JSB	3/11/98	XLC 500/511	
CHECKED BY		USED ON	201,970
PROJ.ENGR.		APPLICATION	ORIGINAL ECR/ER

A	204,688	REVISED LAYOUT	JRH	6/26/02	
REV	APPV	ECR	REVISION DESCRIPTION	BY	DATE


THE MATERIALS AND INFORMATION, INCLUDING THE PRINCIPLES OF DESIGN PRESENTED BY THIS PRINT, IS THE EXCLUSIVE PROPERTY OF MINNESOTA VALLEY ENGINEERING, AND IS CONFIDENTIAL INFORMATION. ACCORDINGLY, THIS INFORMATION IS SUBMITTED TO YOU WITH THE AGREEMENT THAT IT IS NOT TO BE REPRODUCED, COPIED, OR LOANED, IN PART OR IN WHOLE, NOR IS THE INFORMATION TO BE RELAYED TO ANY COMPANY. ACCEPTANCE OF THIS DRAWING WILL BE CONSTRUED AS AN AGREEMENT TO THE ABOVE.

DESIGNATES A NOTE REFERENCE.

MAT'L
SEE BOM

FINISH P/N
10969085

UNLESS OTHERWISE SPECIFIED DIMENSIONS ARE IN INCHES.
TOLERANCES:
FRACTIONS ± 1/16"
ANGLES ± 1°
2 PLACE DECIMAL ± .031
3 PLACE DECIMAL ± .015

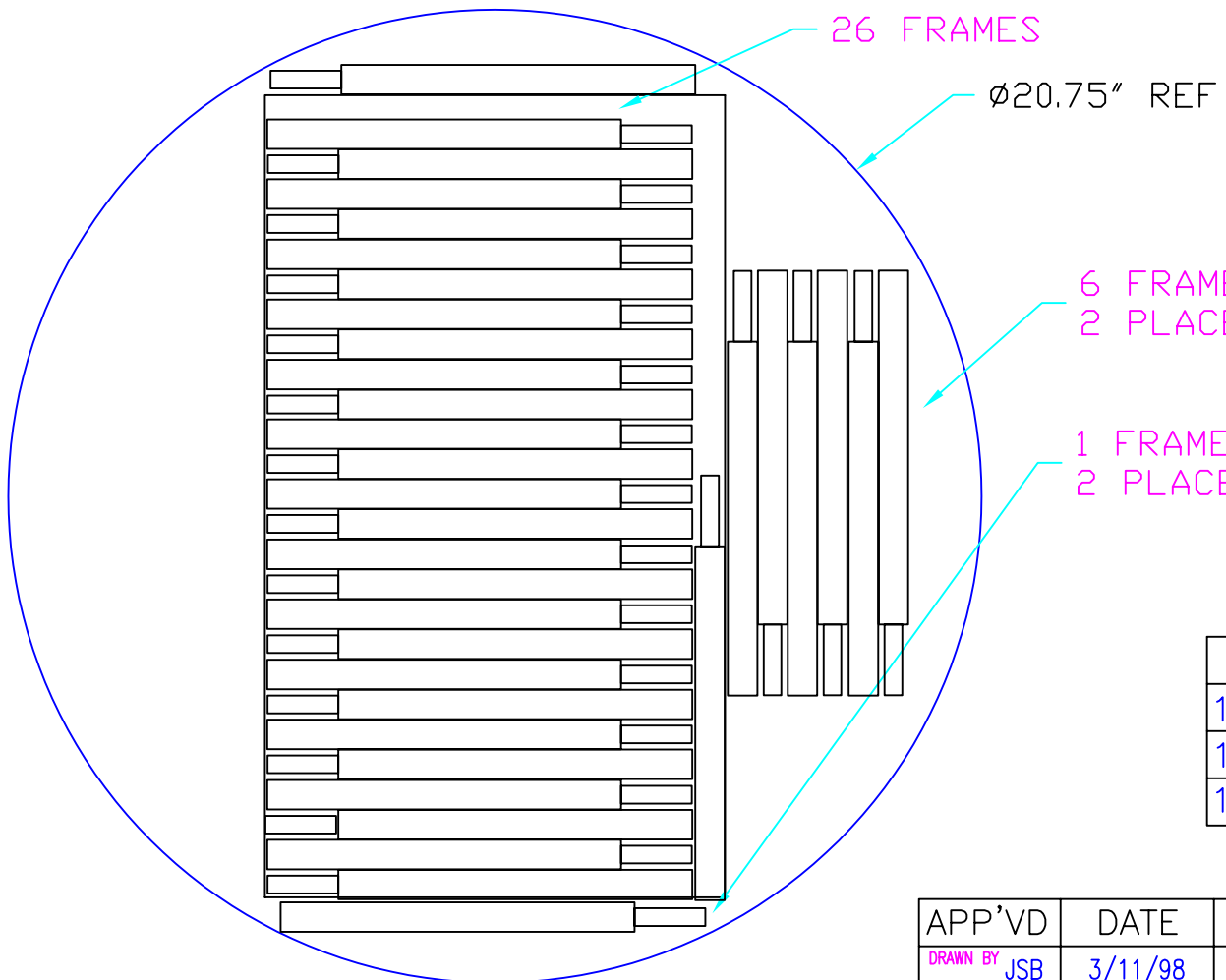


MVE INC.
CANTON, GEORGIA 30114

TITLE: CM 7005-2/7039-2/7303-2
RACK LAYOUT

DRAWING NO. **A-10969085** REV: **A**

SCALE: 1/4"=1" DO NOT SCALE DRAWING SHEET: 1 of 1



6 FRAMES
2 PLACES

1 FRAME
2 PLACES

BOM

P/N	DESCRIPTION	QTY
10580900	DIVIDER	1
10969464	FRAMES	40
10969472	CANISTERS	120

APP'VD	DATE		
DRAWN BY JSB	3/11/98	XLC 500/511	
CHECKED BY		USED ON	201,970
PROJ.ENGR.		APPLICATION	ORIGINAL ECR/ER

A		204,688	REVISED LAYOUT	JRH	6/26/02
REV	APPV	ECR	REVISION DESCRIPTION	BY	DATE


THE MATERIALS AND INFORMATION, INCLUDING THE PRINCIPLES OF DESIGN PRESENTED BY THIS PRINT, IS THE EXCLUSIVE PROPERTY OF MINNESOTA VALLEY ENGINEERING, AND IS CONFIDENTIAL INFORMATION. ACCORDINGLY, THIS INFORMATION IS SUBMITTED TO YOU WITH THE AGREEMENT THAT IT IS NOT TO BE REPRODUCED, COPIED, OR LOANED, IN PART OR IN WHOLE, NOR IS THE INFORMATION TO BE RELAYED TO ANY COMPANY. ACCEPTANCE OF THIS DRAWING WILL BE CONSTRUED AS AN AGREEMENT TO THE ABOVE.

DESIGNATES A NOTE REFERENCE.

MAT'L
SEE BOM

FINISH P/N
10969405

UNLESS OTHERWISE SPECIFIED
DIMENSIONS ARE IN INCHES.
TOLERANCES:
FRACTIONS ± 1/16"
ANGLES ± 1"
2 PLACE DECIMAL ± .031
3 PLACE DECIMAL ± .015



MVE INC.
CANTON, GEORGIA 30114

TITLE: CM 7400-2/7410-2/7403-2
RACK LAYOUT

DRAWING NO. **A-10969405** REV: **A**

SCALE: 1/4"=1" DO NOT SCALE DRAWING SHEET: 1 of 1