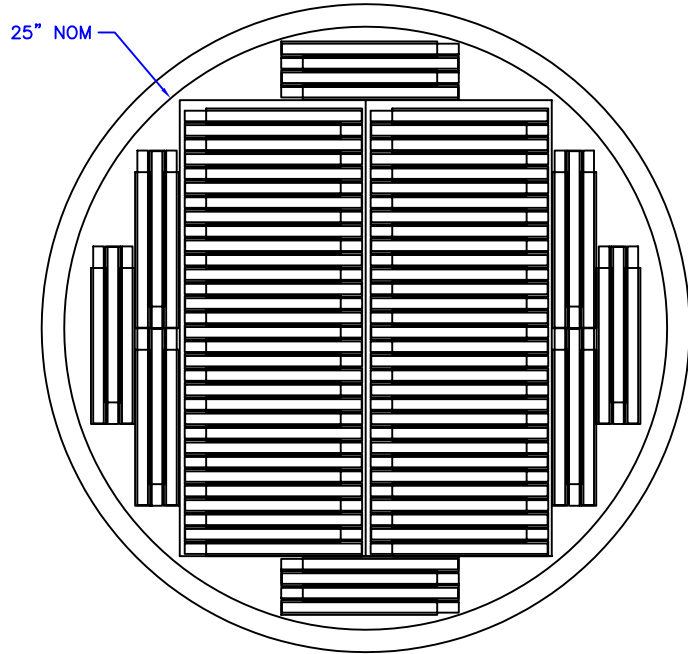


DRAWING NO. A-11742739



BOM

P/N	DESCRIPTION	QTY
11742683	DIVIDER	1
10580740	FRAMES	88
10580694	CANISTERS	352

APP'VD	DATE		
DRAWN BY JSB	11/25/02	600/611	
CHECKED BY		USED ON	204,688
PROJ.ENGR.		APPLICATION	ORIGINAL ECR/ER

REV	APPV	ECR	REVISION DESCRIPTION	BY	DATE
-----	------	-----	----------------------	----	------

THE MATERIALS AND INFORMATION, INCLUDING THE PRINCIPLES OF DESIGN PRESENTED BY THIS PRINT, IS THE EXCLUSIVE PROPERTY OF CHART INDUSTRIES, INC., AND IS CONFIDENTIAL INFORMATION. ACCORDINGLY, THIS INFORMATION IS SUBMITTED TO YOU WITH THE AGREEMENT THAT IT IS NOT TO BE REPRODUCED, COPIED, OR LOANED, IN PART OR IN WHOLE, NOR IS THE INFORMATION TO BE RELAYED TO ANY COMPANY. ACCEPTANCE OF THIS DRAWING WILL BE CONSTRUED AS AN AGREEMENT TO THE ABOVE.

DESIGNATES A NOTE REFERENCE.

MAT'L

FINISH P/N
11742739

CHART INDUSTRIES, INC.
CANTON, GEORGIA 30114

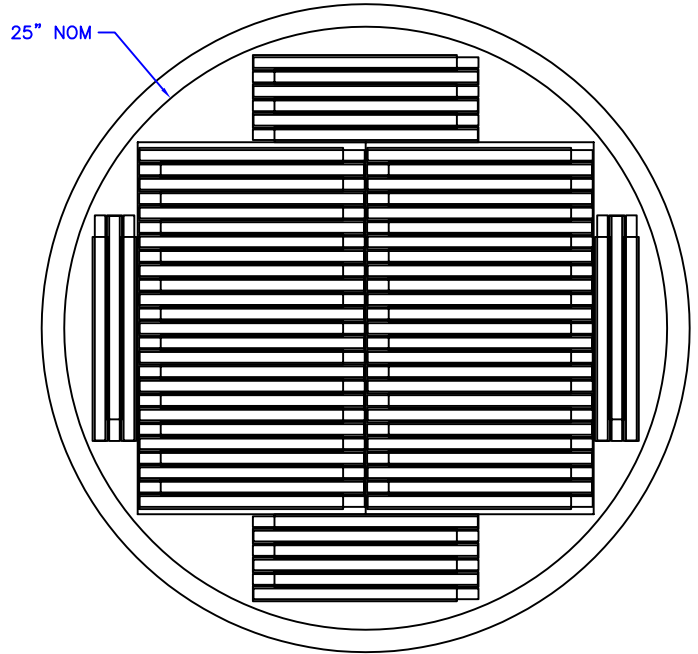
TITLE:
BAXTER 4R9953

DRAWING NO. **A-11742739** REV:

SCALE: **NTS** DO NOT SCALE DRAWING SHEET: **1 of 1**

UNLESS OTHERWISE SPECIFIED DIMENSIONS ARE IN INCHES.
TOLERANCES:
FRACTIONS ± 1/16"
ANGLES ± 1°
2 PLACE DECIMAL ± .031
3 PLACE DECIMAL ± .015

DRAWING NO. A-11742747



BOM

P/N	DESCRIPTION	QTY
11742691	DIVIDER	1
10580766	FRAMES	68
10580707	CANISTERS	272

APP'VD	DATE		
DRAWN BY JSB	11/25/02	600/611	
CHECKED BY		USED ON	204,688
PROJ.ENGR.		APPLICATION	ORIGINAL ECR/ER

REV	APPV	ECR	REVISION DESCRIPTION	BY	DATE
-----	------	-----	----------------------	----	------

THE MATERIALS AND INFORMATION, INCLUDING THE PRINCIPLES OF DESIGN PRESENTED BY THIS PRINT, IS THE EXCLUSIVE PROPERTY OF CHART INDUSTRIES, INC., AND IS CONFIDENTIAL INFORMATION. ACCORDINGLY, THIS INFORMATION IS SUBMITTED TO YOU WITH THE AGREEMENT THAT IT IS NOT TO BE REPRODUCED, COPIED, OR LOANED, IN PART OR IN WHOLE, NOR IS THE INFORMATION TO BE RELAYED TO ANY COMPANY. ACCEPTANCE OF THIS DRAWING WILL BE CONSTRUED AS AN AGREEMENT TO THE ABOVE.

DESIGNATES A NOTE REFERENCE.

MAT'L

FINISH P/N
11742747

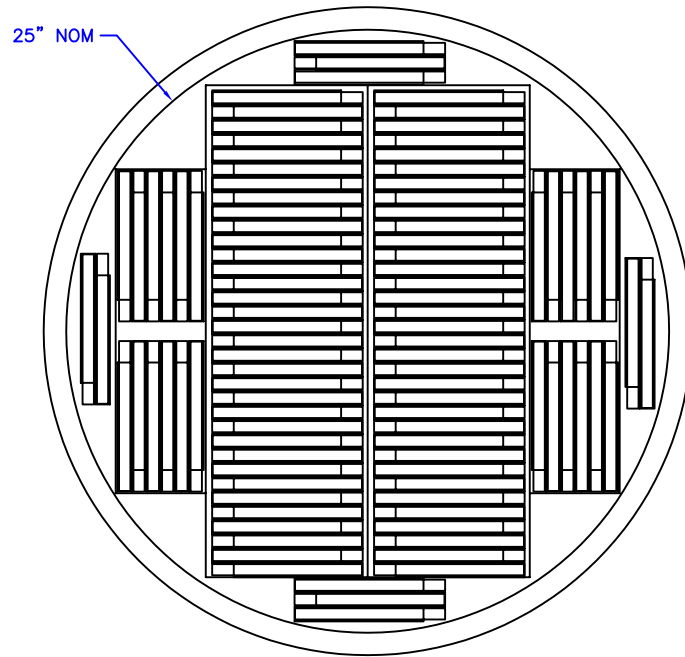
CHART INDUSTRIES, INC.
CANTON, GEORGIA 30114

TITLE:
BAXTER 4R9955

DRAWING NO. **A-11742747** REV:

SCALE: **NTS** DO NOT SCALE DRAWING SHEET: **1 of 1**

UNLESS OTHERWISE SPECIFIED DIMENSIONS ARE IN INCHES.
TOLERANCES:
FRACTIONS ± 1/16"
ANGLES ± 1°
2 PLACE DECIMAL ± .031
3 PLACE DECIMAL ± .015



BOM

P/N	DESCRIPTION	QTY
11742675	DIVIDER	1
10823385	FRAMES	102
10823393	CANISTERS	612

APP'VD	DATE		
DRAWN BY JRH	8/15/02	600/611	
CHECKED BY		USED ON	204,688
PROJ.ENGR.		APPLICATION	ORIGINAL ECR/ER


REV	APPV	ECR	REVISION DESCRIPTION	BY	DATE

THE MATERIALS AND INFORMATION, INCLUDING THE PRINCIPLES OF DESIGN PRESENTED BY THIS PRINT, IS THE EXCLUSIVE PROPERTY OF CHART INDUSTRIES, INC., AND IS CONFIDENTIAL INFORMATION. ACCORDINGLY, THIS INFORMATION IS SUBMITTED TO YOU WITH THE AGREEMENT THAT IT IS NOT TO BE REPRODUCED, COPIED, OR LOANED, IN PART OR IN WHOLE, NOR IS THE INFORMATION TO BE RELAYED TO ANY COMPANY. ACCEPTANCE OF THIS DRAWING WILL BE CONSTRUED AS AN AGREEMENT TO THE ABOVE.

DESIGNATES A NOTE REFERENCE.

MAT'L

FINISH P/N
11742721

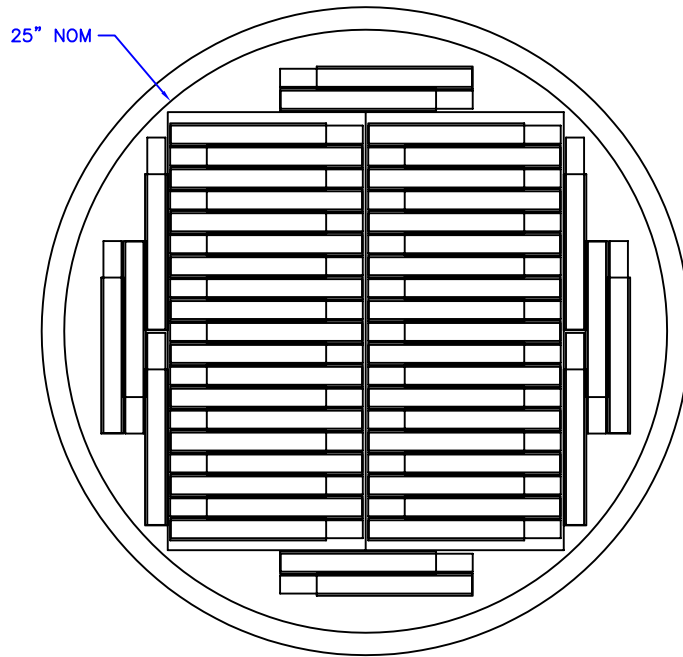

CHART INDUSTRIES, INC.
 CANTON, GEORGIA 30114

TITLE: **BAXTER 4R9951**

DRAWING NO. **A-11742721** REV:

SCALE: **NTS** DO NOT SCALE DRAWING SHEET: **1 of 1**

UNLESS OTHERWISE SPECIFIED DIMENSIONS ARE IN INCHES.
 TOLERANCES:
 FRACTIONS ± 1/16"
 ANGLES ± 1°
 2 PLACE DECIMAL ± .031
 3 PLACE DECIMAL ± .015



BOM

P/N	DESCRIPTION	QTY
11742704	DIVIDER	1
10580782	FRAMES	50
10580715	CANISTERS	200

APP'VD	DATE		
DRAWN BY JSB	11/25/02	600/611	
CHECKED BY		USED ON	204,688
PROJ.ENGR.		APPLICATION	ORIGINAL ECR/ER

REV	APPV	ECR	REVISION DESCRIPTION	BY	DATE

THE MATERIALS AND INFORMATION, INCLUDING THE PRINCIPLES OF DESIGN PRESENTED BY THIS PRINT, IS THE EXCLUSIVE PROPERTY OF CHART INDUSTRIES, INC., AND IS CONFIDENTIAL INFORMATION. ACCORDINGLY, THIS INFORMATION IS SUBMITTED TO YOU WITH THE AGREEMENT THAT IT IS NOT TO BE REPRODUCED, COPIED, OR LOANED, IN PART OR IN WHOLE, NOR IS THE INFORMATION TO BE RELAYED TO ANY COMPANY. ACCEPTANCE OF THIS DRAWING WILL BE CONSTRUED AS AN AGREEMENT TO THE ABOVE.

DESIGNATES A NOTE REFERENCE.

MAT'L

FINISH P/N
11742771

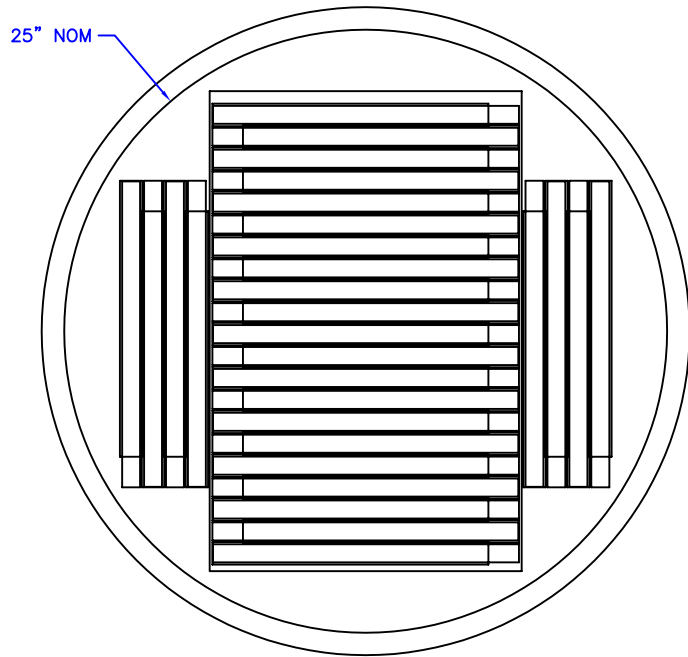
CHART INDUSTRIES, INC.
CANTON, GEORGIA 30114

TITLE:
GAMBRO DF-200

DRAWING NO. **A-11742771** REV:

SCALE: **NTS** DO NOT SCALE DRAWING SHEET: **1 of 1**

UNLESS OTHERWISE SPECIFIED DIMENSIONS ARE IN INCHES.
TOLERANCES:
FRACTIONS ± 1/16"
ANGLES ± 1°
2 PLACE DECIMAL ± .031
3 PLACE DECIMAL ± .015



BOM

P/N	DESCRIPTION	QTY
11742712	DIVIDER	1
10580803	FRAMES	29
10580723	CANISTERS	116

APP'VD	DATE		
DRAWN BY JSB	11/25/02	600/611	
CHECKED BY		USED ON	204,688
PROJ.ENGR.		APPLICATION	ORIGINAL ECR/ER

REV	APPV	ECR	REVISION DESCRIPTION	BY	DATE

THE MATERIALS AND INFORMATION, INCLUDING THE PRINCIPLES OF DESIGN PRESENTED BY THIS PRINT, IS THE EXCLUSIVE PROPERTY OF CHART INDUSTRIES, INC., AND IS CONFIDENTIAL INFORMATION. ACCORDINGLY, THIS INFORMATION IS SUBMITTED TO YOU WITH THE AGREEMENT THAT IT IS NOT TO BE REPRODUCED, COPIED, OR LOANED, IN PART OR IN WHOLE, NOR IS THE INFORMATION TO BE RELAYED TO ANY COMPANY. ACCEPTANCE OF THIS DRAWING WILL BE CONSTRUED AS AN AGREEMENT TO THE ABOVE.

DESIGNATES A NOTE REFERENCE.

MAT'L

FINISH P/N
11742780

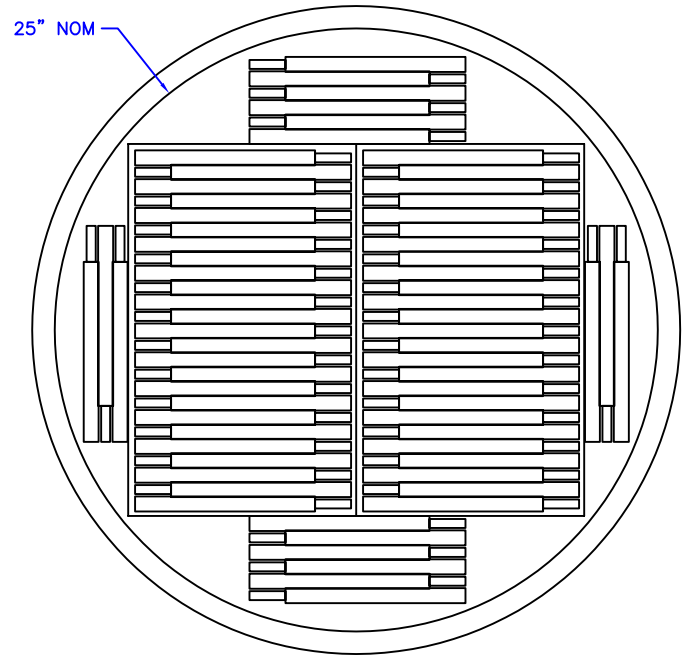
UNLESS OTHERWISE SPECIFIED
DIMENSIONS ARE IN INCHES.
TOLERANCES:
FRACTIONS $\pm 1/16"$
ANGLES $\pm 1"$
2 PLACE DECIMAL $\pm .031$
3 PLACE DECIMAL $\pm .015$

CHART CHART INDUSTRIES, INC.
CANTON, GEORGIA 30114

TITLE:
GAMBRO DF-700

DRAWING NO. **A-11742780** REV:

SCALE: **NTS** DO NOT SCALE DRAWING SHEET: **1 of 1**



BOM

P/N	DESCRIPTION	QTY
11742691	DIVIDER	1
10969069	FRAMES	68
10969077	CANISTERS	204

APP'VD	DATE		
DRAWN BY JRH	8/16/02	600/611	
CHECKED BY		USED ON	204,688
PROJ.ENGR.		APPLICATION	ORIGINAL ECR/ER


REV	APPV	ECR	REVISION DESCRIPTION	BY	DATE

THE MATERIALS AND INFORMATION, INCLUDING THE PRINCIPLES OF DESIGN PRESENTED BY THIS PRINT, IS THE EXCLUSIVE PROPERTY OF CHART INDUSTRIES, INC., AND IS CONFIDENTIAL INFORMATION. ACCORDINGLY, THIS INFORMATION IS SUBMITTED TO YOU WITH THE AGREEMENT THAT IT IS NOT TO BE REPRODUCED, COPIED, OR LOANED, IN PART OR IN WHOLE, NOR IS THE INFORMATION TO BE RELAYED TO ANY COMPANY. ACCEPTANCE OF THIS DRAWING WILL BE CONSTRUED AS AN AGREEMENT TO THE ABOVE.

DESIGNATES A NOTE REFERENCE.

MAT'L

FINISH P/N
11742755

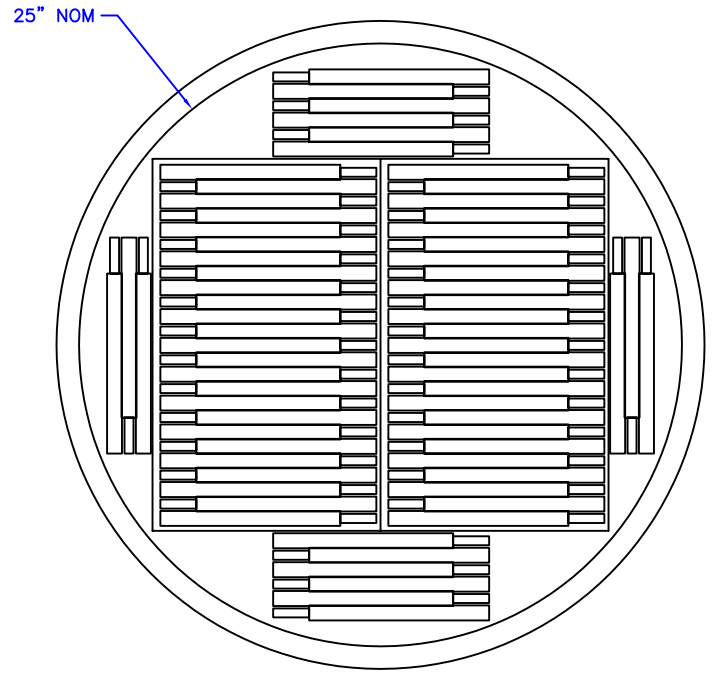

CHART INDUSTRIES, INC.
 CANTON, GEORGIA 30114

TITLE: **CM 7005-2/7039-2/7303-2 RACK LAYOUT**

DRAWING NO. **A-11742755** REV:

SCALE: **NTS** DO NOT SCALE DRAWING SHEET: **1 of 1**

UNLESS OTHERWISE SPECIFIED DIMENSIONS ARE IN INCHES.
 TOLERANCES:
 FRACTIONS ± 1/16"
 ANGLES ± 1°
 2 PLACE DECIMAL ± .031
 3 PLACE DECIMAL ± .015



BOM

P/N	DESCRIPTION	QTY
11742691	DIVIDER	1
10969464	FRAMES	68
10969472	CANISTERS	204

APP'VD	DATE		
DRAWN BY JRH	8/16/02	600/611	
CHECKED BY		USED ON	204,688
PROJ.ENGR.		APPLICATION	ORIGINAL ECR/ER

REV	APPV	ECR	REVISION	DESCRIPTION	BY	DATE

THE MATERIALS AND INFORMATION, INCLUDING THE PRINCIPLES OF DESIGN PRESENTED BY THIS PRINT, IS THE EXCLUSIVE PROPERTY OF CHART INDUSTRIES, INC., AND IS CONFIDENTIAL INFORMATION. ACCORDINGLY, THIS INFORMATION IS SUBMITTED TO YOU WITH THE AGREEMENT THAT IT IS NOT TO BE REPRODUCED, COPIED, OR LOANED, IN PART OR IN WHOLE, NOR IS THE INFORMATION TO BE RELAYED TO ANY COMPANY. ACCEPTANCE OF THIS DRAWING WILL BE CONSTRUED AS AN AGREEMENT TO THE ABOVE.

DESIGNATES A NOTE REFERENCE.

MAT'L

FINISH P/N
11742763

UNLESS OTHERWISE SPECIFIED
DIMENSIONS ARE IN INCHES.
TOLERANCES:
FRACTIONS $\pm 1/16"$
ANGLES $\pm 1'$
2 PLACE DECIMAL $\pm .031$
3 PLACE DECIMAL $\pm .015$

CHART CHART INDUSTRIES, INC.
CANTON, GEORGIA 30114

TITLE: **CM 7400-2/7410-2/7403-2
RACK LAYOUT**

DRAWING NO. **A-11742763** REV:

SCALE: **NTS** DO NOT SCALE DRAWING SHEET: **1 of 1**