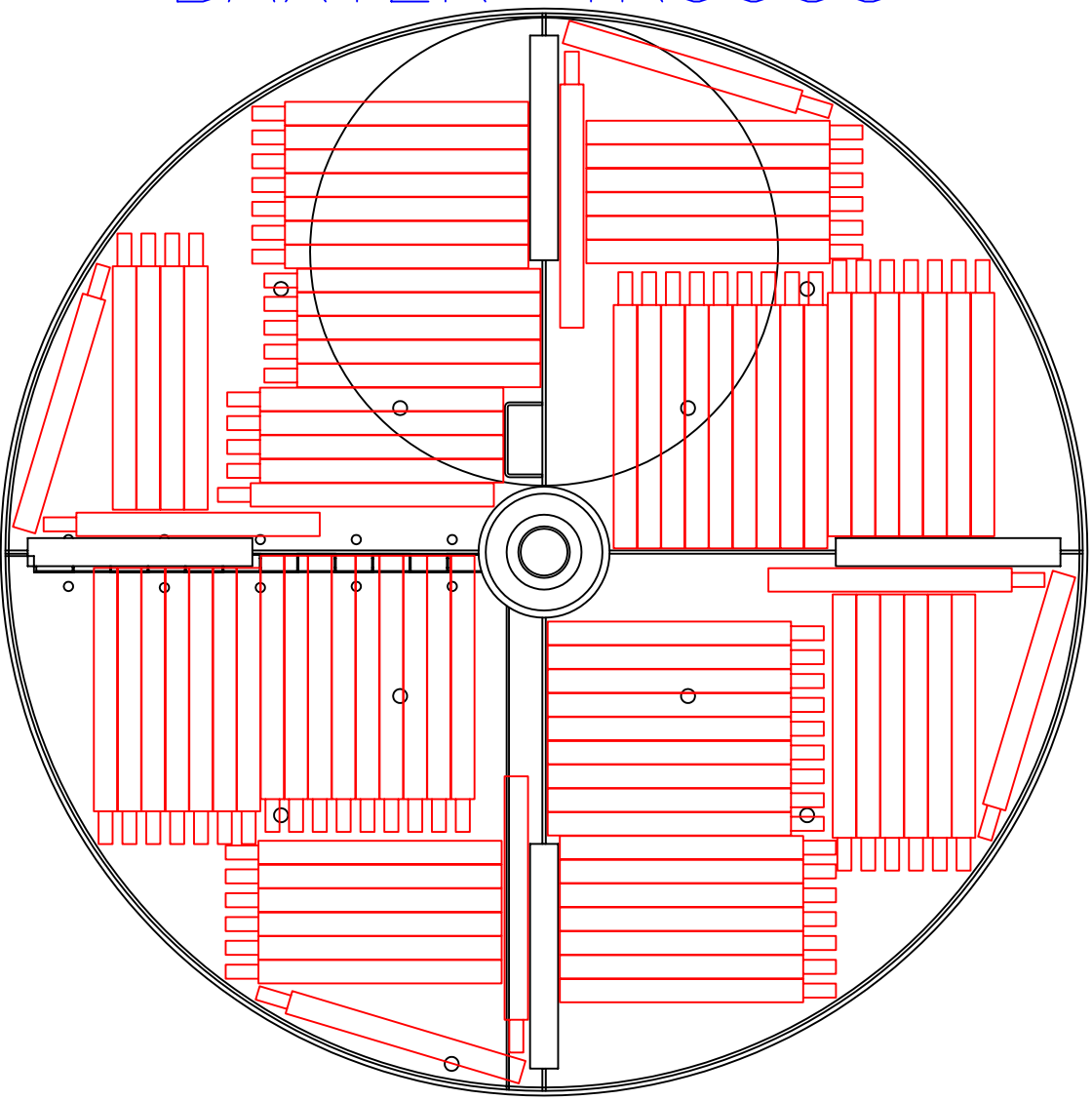


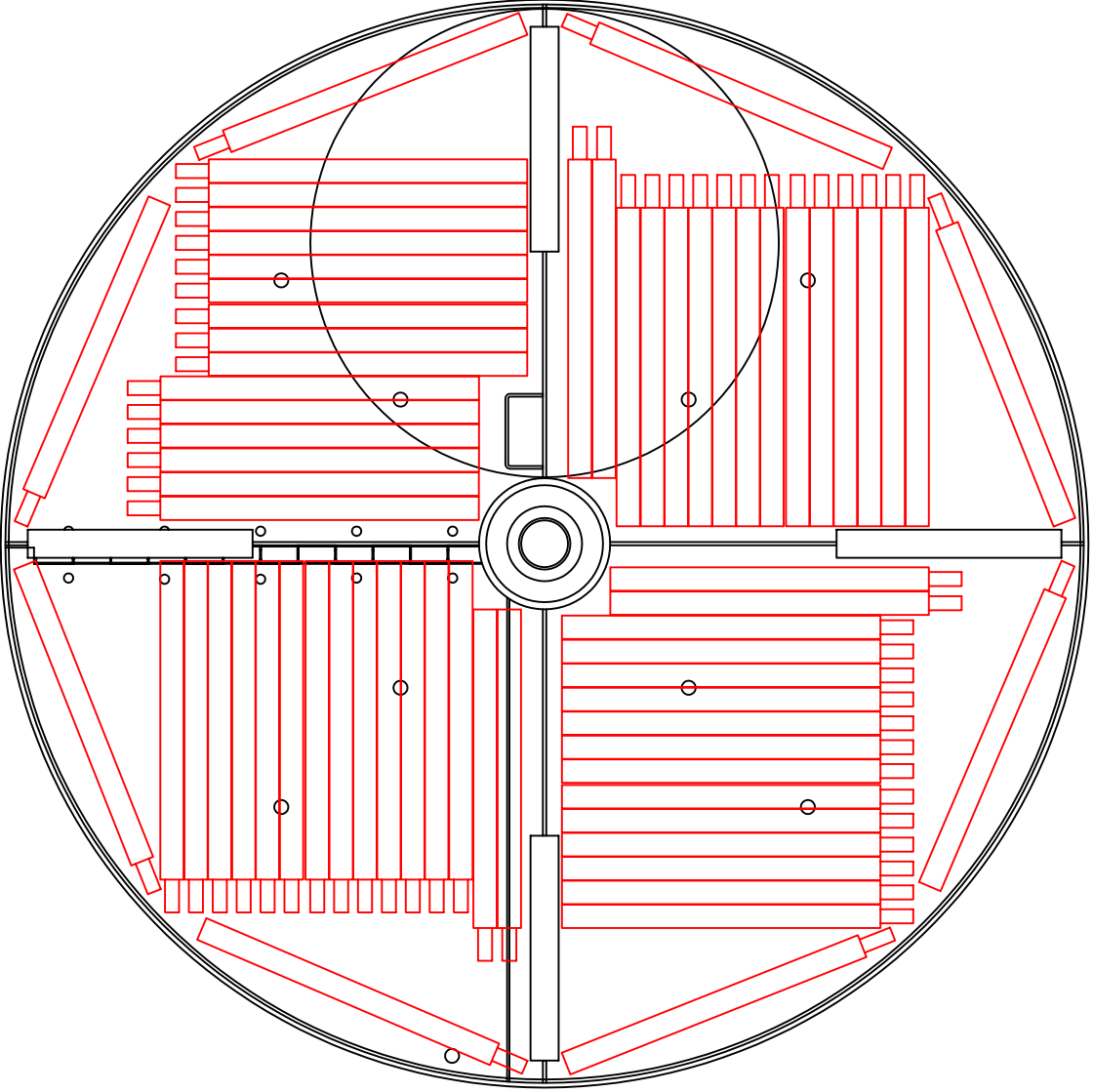
# XLC 810 HE BAXTER 4R9953



## BOM

P/N	DESCRIPTION	QTY
10580740	FRAMES	95
10580694	CANISTERS	380

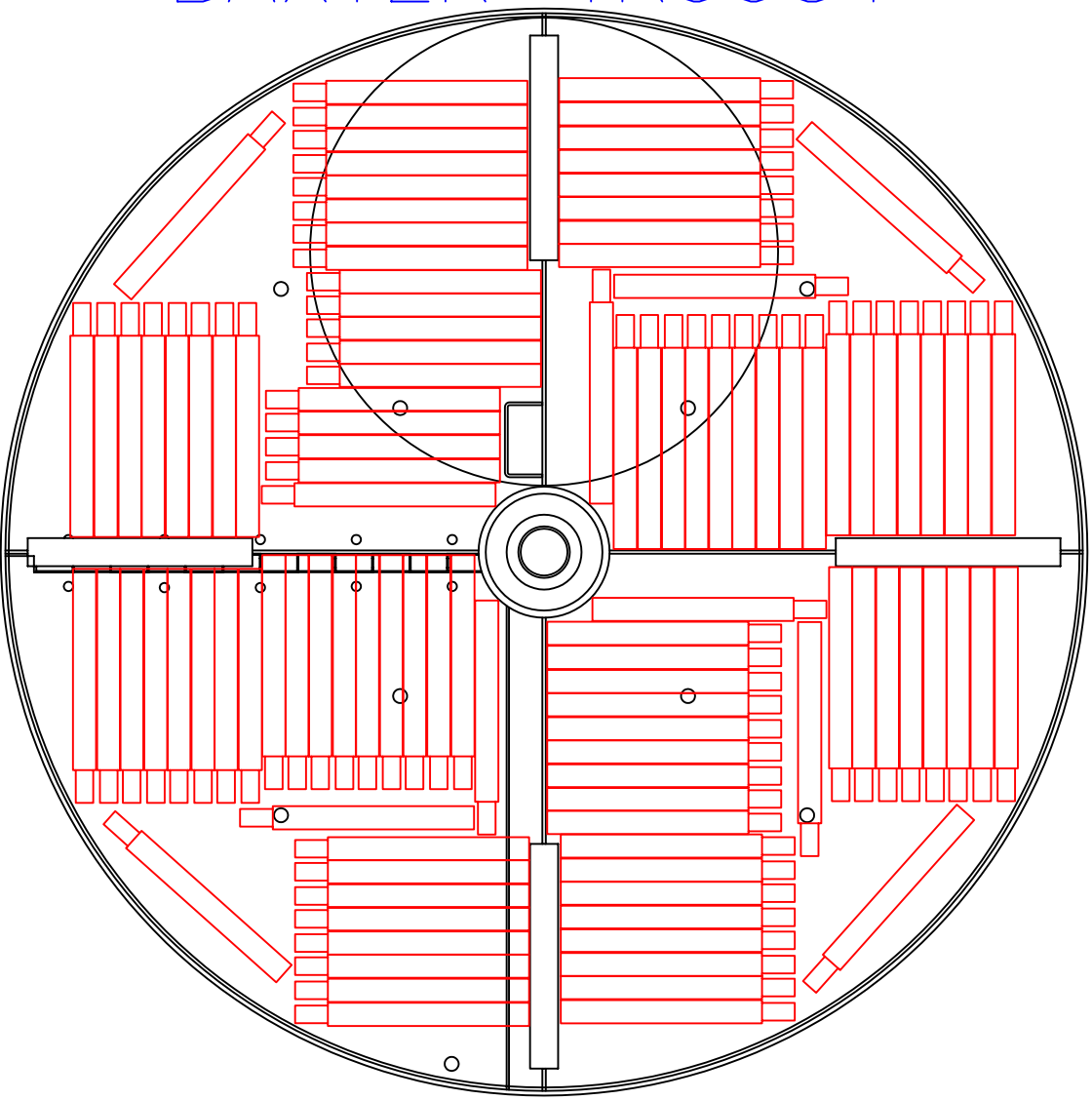
# XLC 810 HE BAXTER 4R9955



## BOM

P/N	DESCRIPTION	QTY
10580766	FRAMES	68
10580707	CANISTERS	272

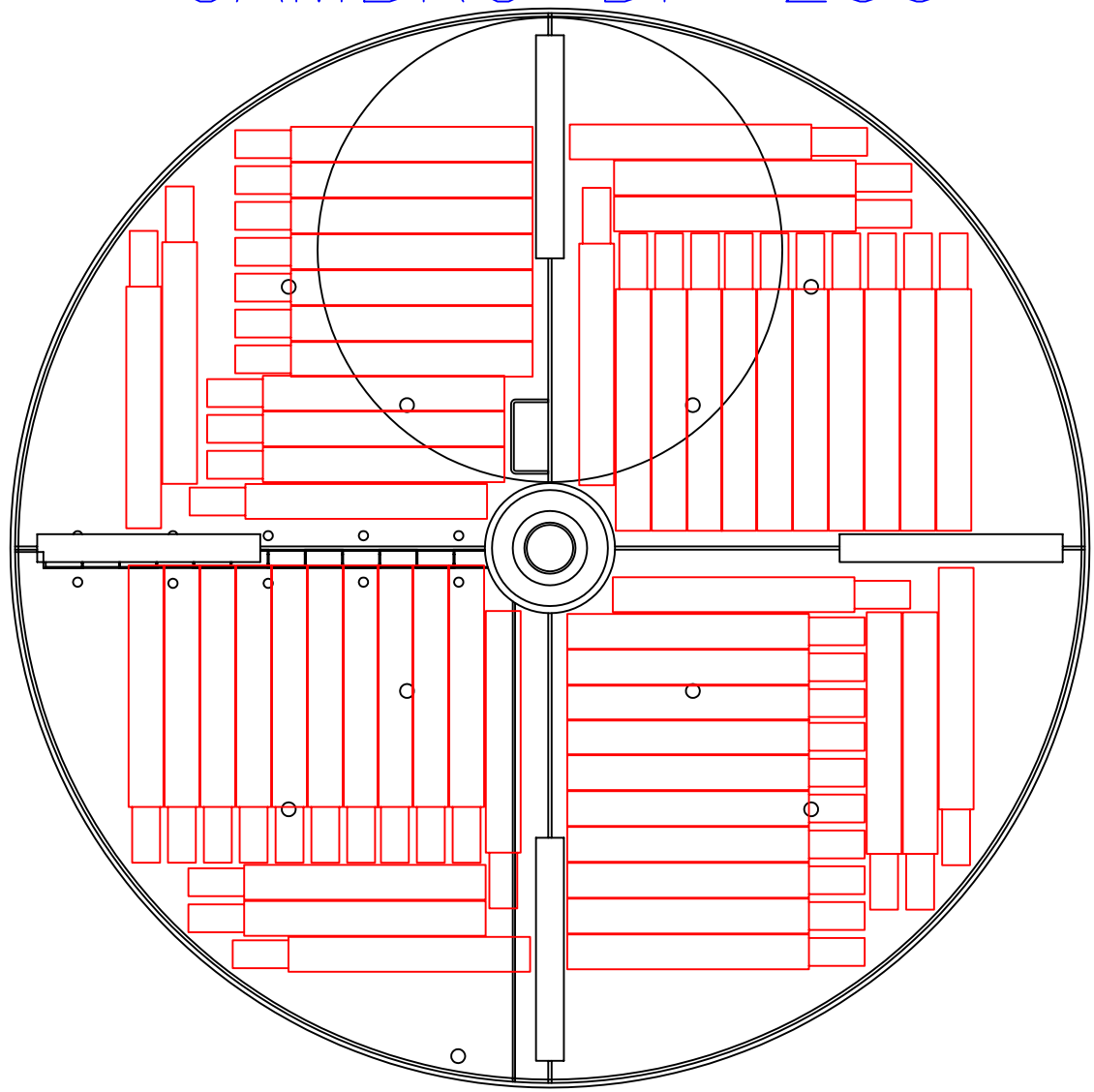
# XLC 810 HE BAXTER 4R9951



## BOM

P/N	DESCRIPTION	QTY
10823385	FRAMES	111
10823393	CANISTERS	666

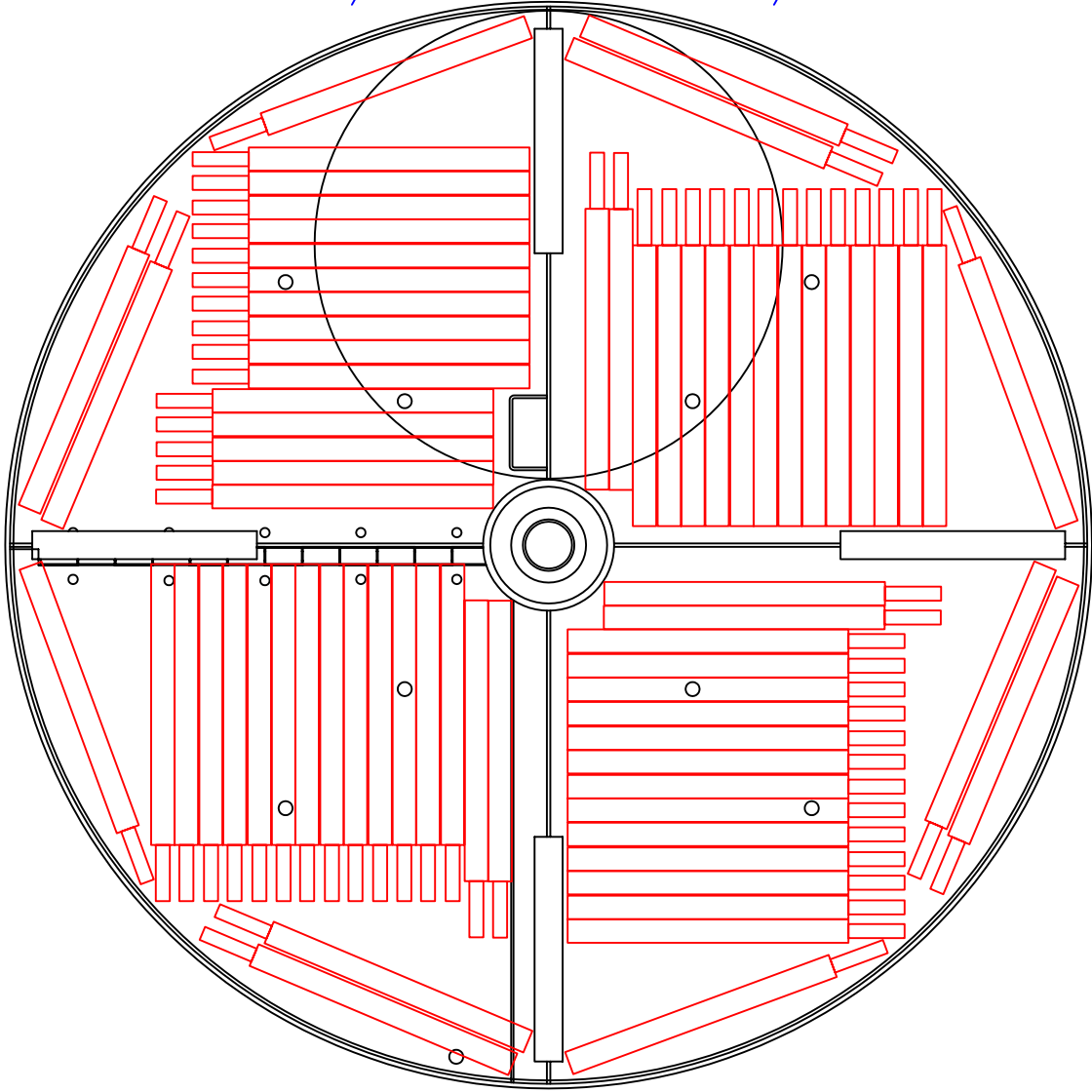
XLC 810 HE  
GAMBRO DF-200



BOM

P/N	DESCRIPTION	QTY
10580782	FRAMES	55
10580715	CANISTERS	220

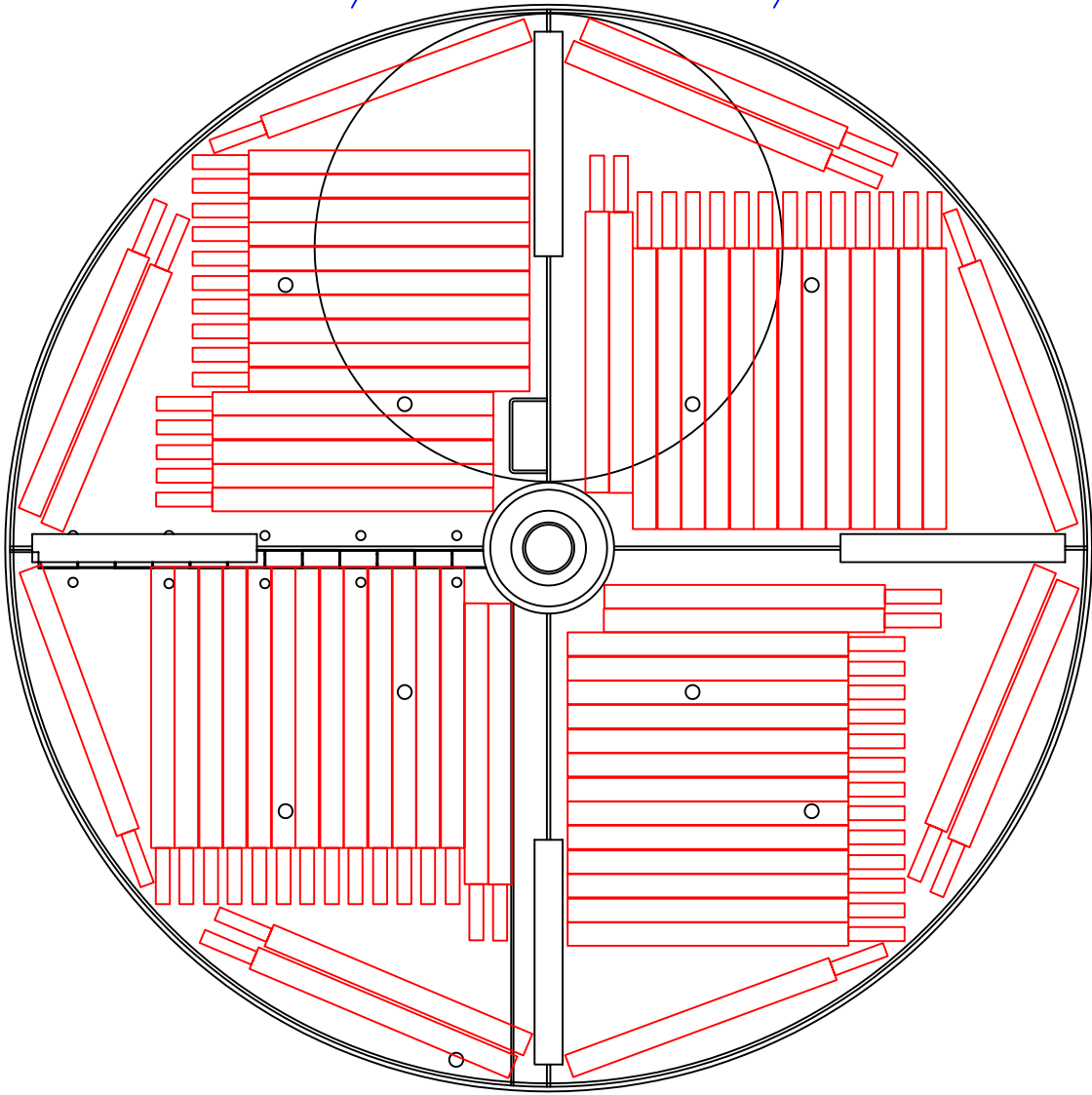
XLC 810 HE  
CHARTERMED  
7005-2/7039-2/7303-2



BOM

P/N	DESCRIPTION	QTY
10969069	FRAMES	72
10969077	CANISTERS	216

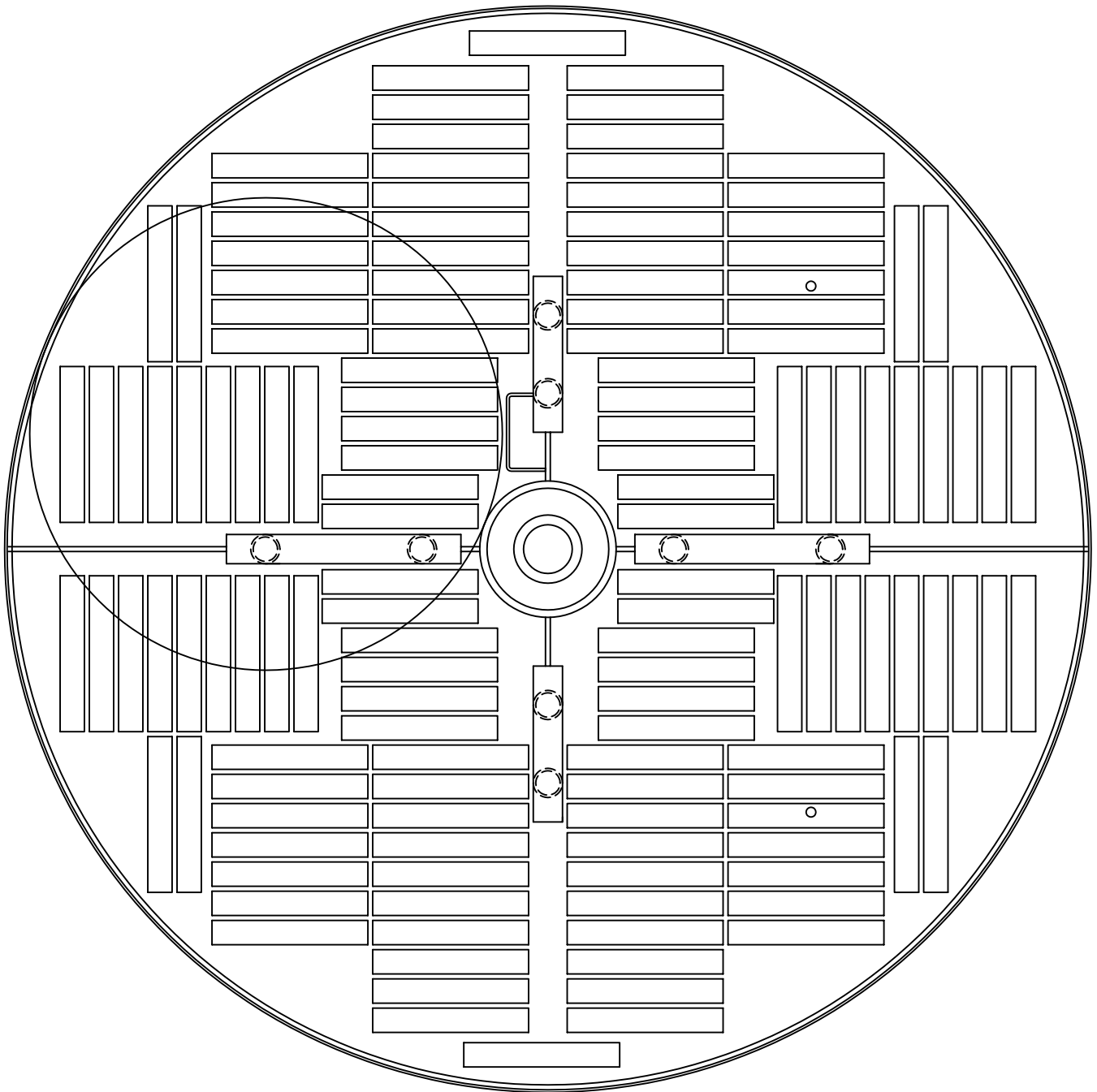
XLC 810 HE  
CHARTERMED  
7400-2/7410-2/7403-2



BOM

P/N	DESCRIPTION	QTY
10969481	FRAMES	72
10969472	CANISTERS	144

# MVE 810HE MEDSEP LAYOUT



138 FRAMES  
7 PLACE FRAMES 966 CANISTERS  
6 PLACE FRAMES 828 CANISTERS  
6 PLACE RECOMMENDED FOR FINGER  
CLEARANCE