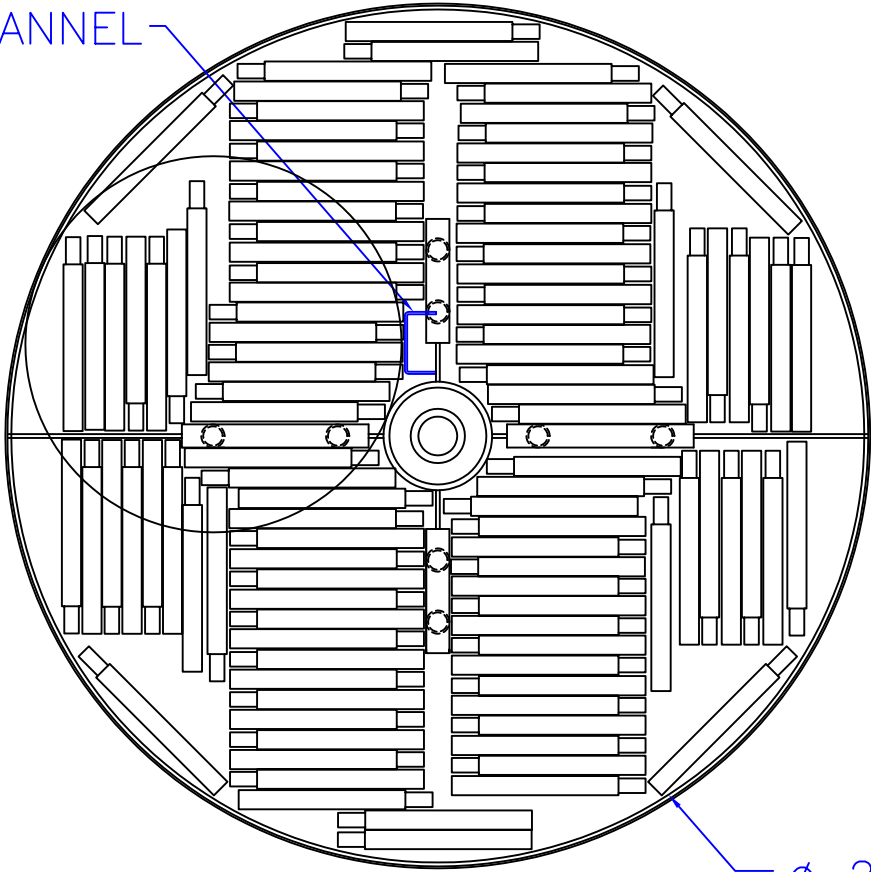


MVE 810HE+
BAXTER 4R9951
LAYOUT

GUIDE CHANNEL

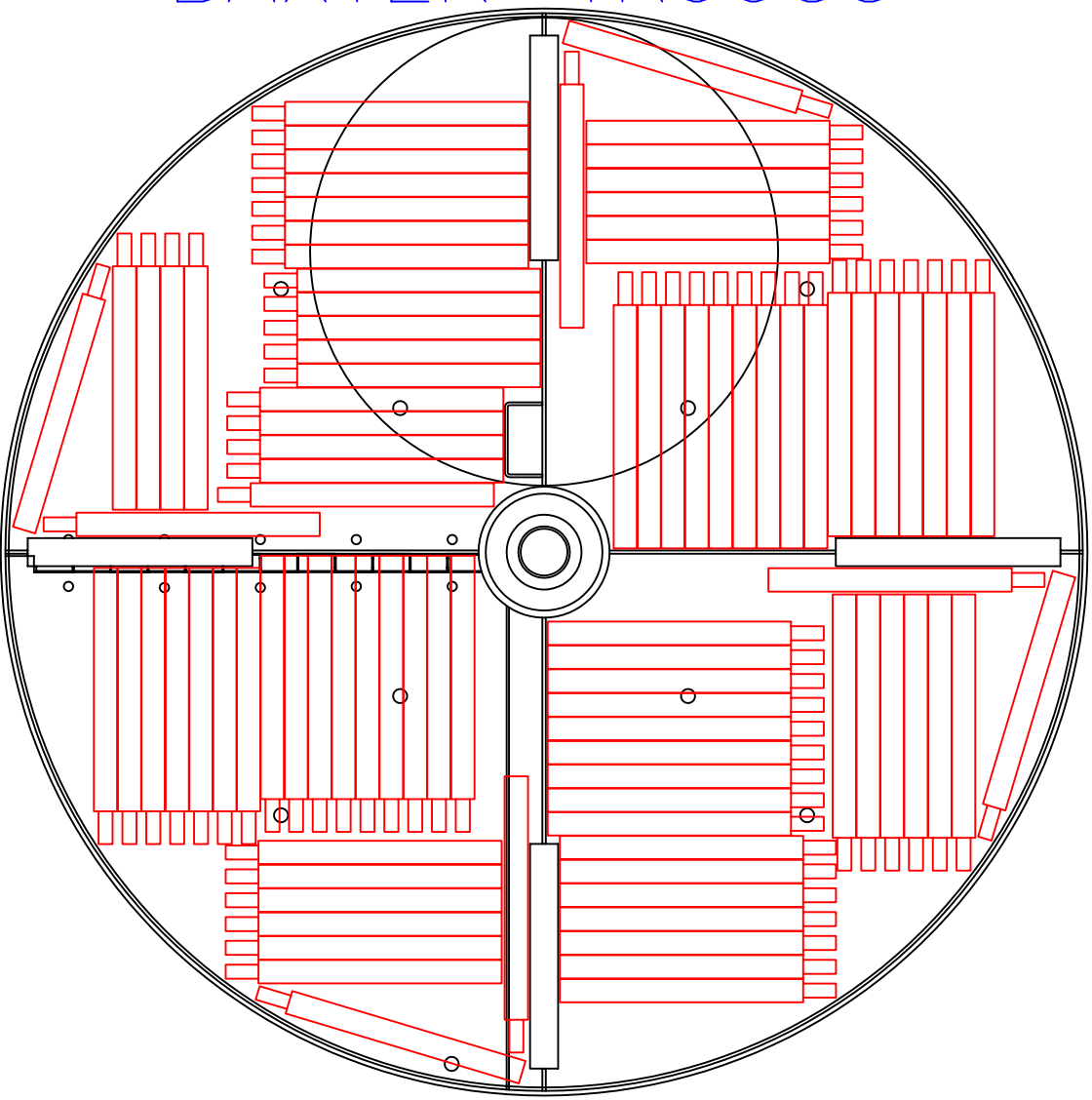


BOM

P/N	DESCRIPTION	QTY
11831951	FRAMES	111
10823393	CANISTERS	777

ø 27.5"

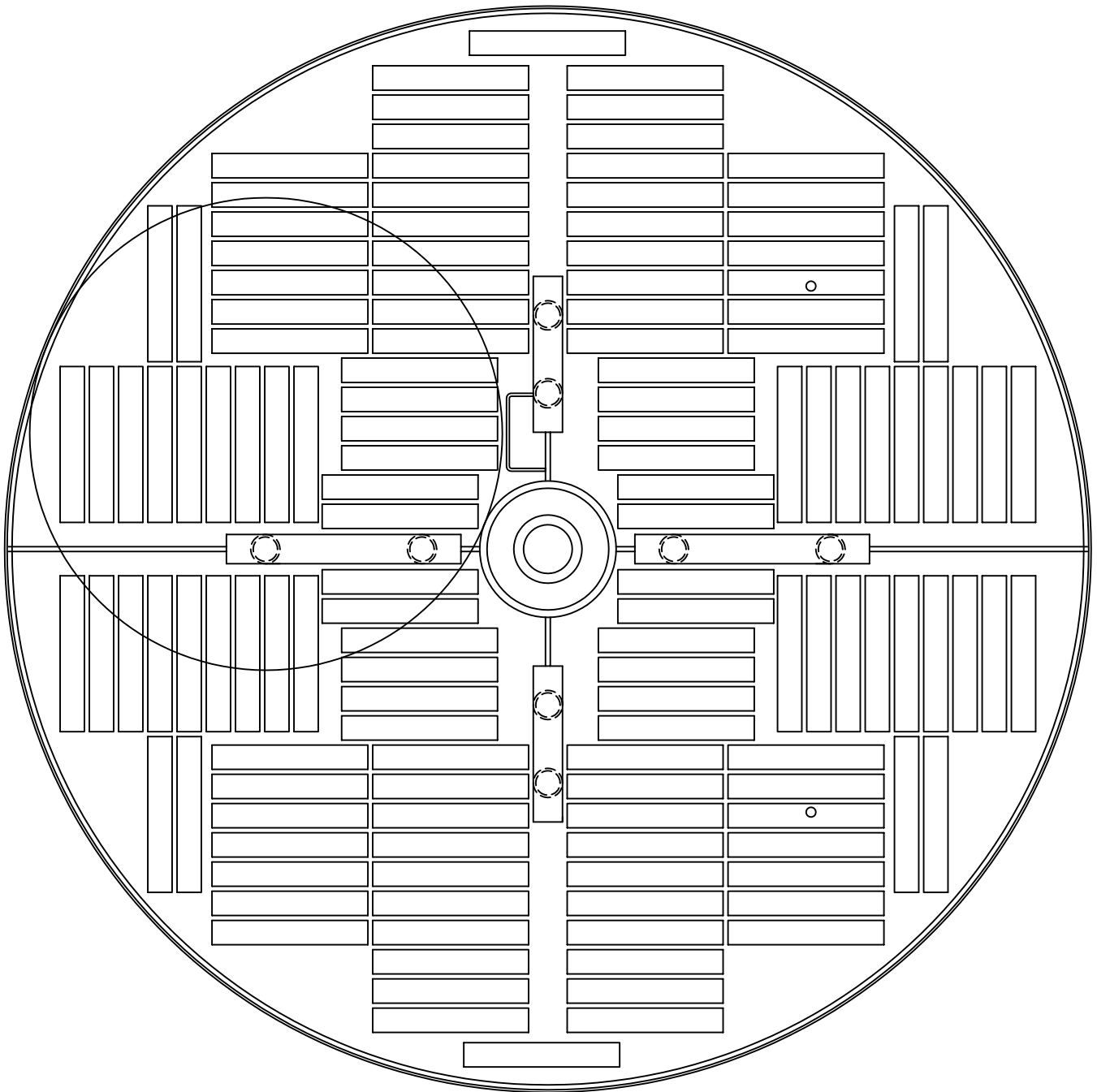
XLC 810 HE BAXTER 4R9953



BOM

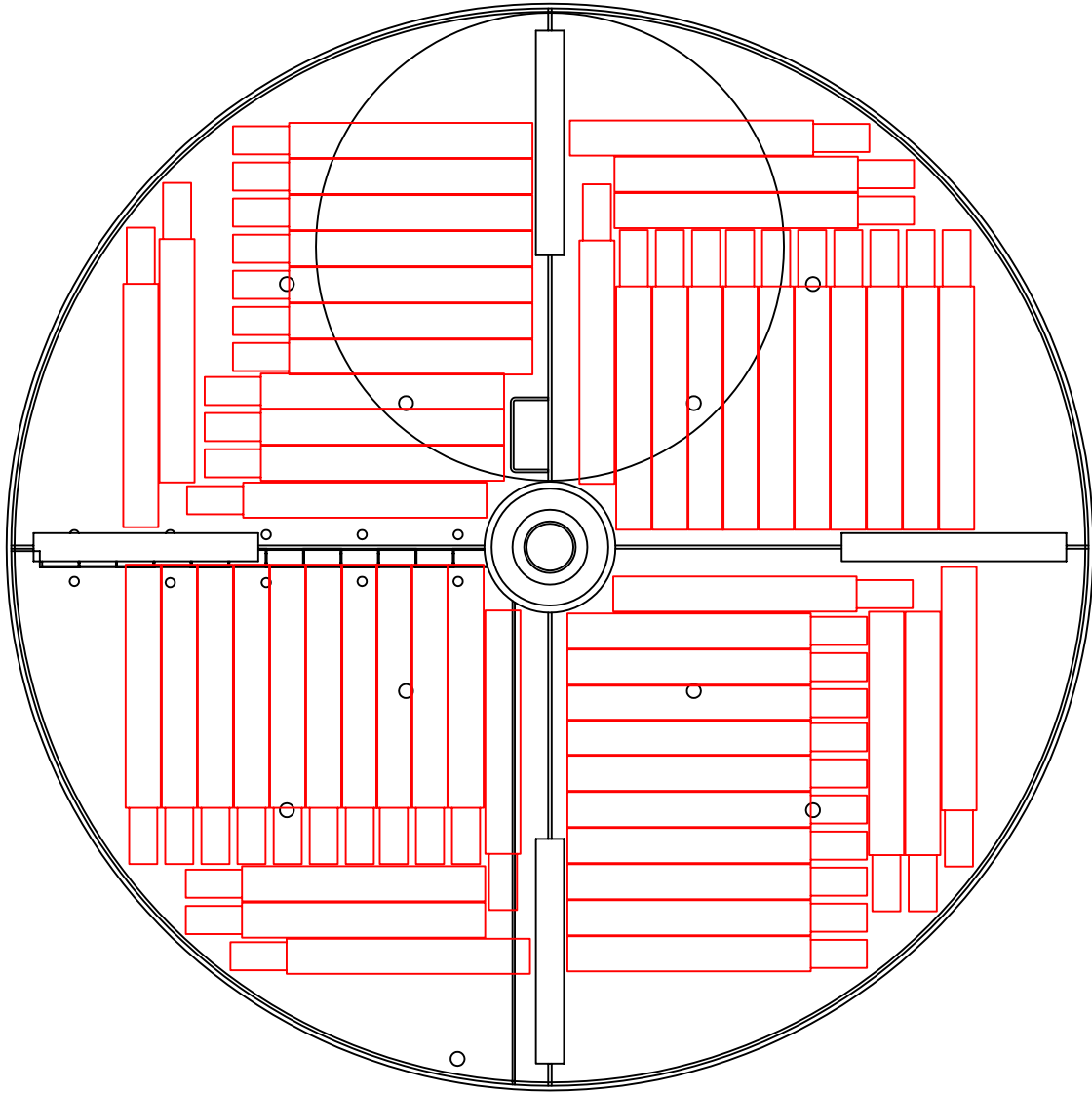
P/N	DESCRIPTION	QTY
10580740	FRAMES	95
10580694	CANISTERS	380

MVE 810HE MEDSEP LAYOUT



138 FRAMES
7 PLACE FRAMES 966 CANISTERS
6 PLACE FRAMES 828 CANISTERS
6 PLACE RECOMMENDED FOR FINGER
CLEARANCE

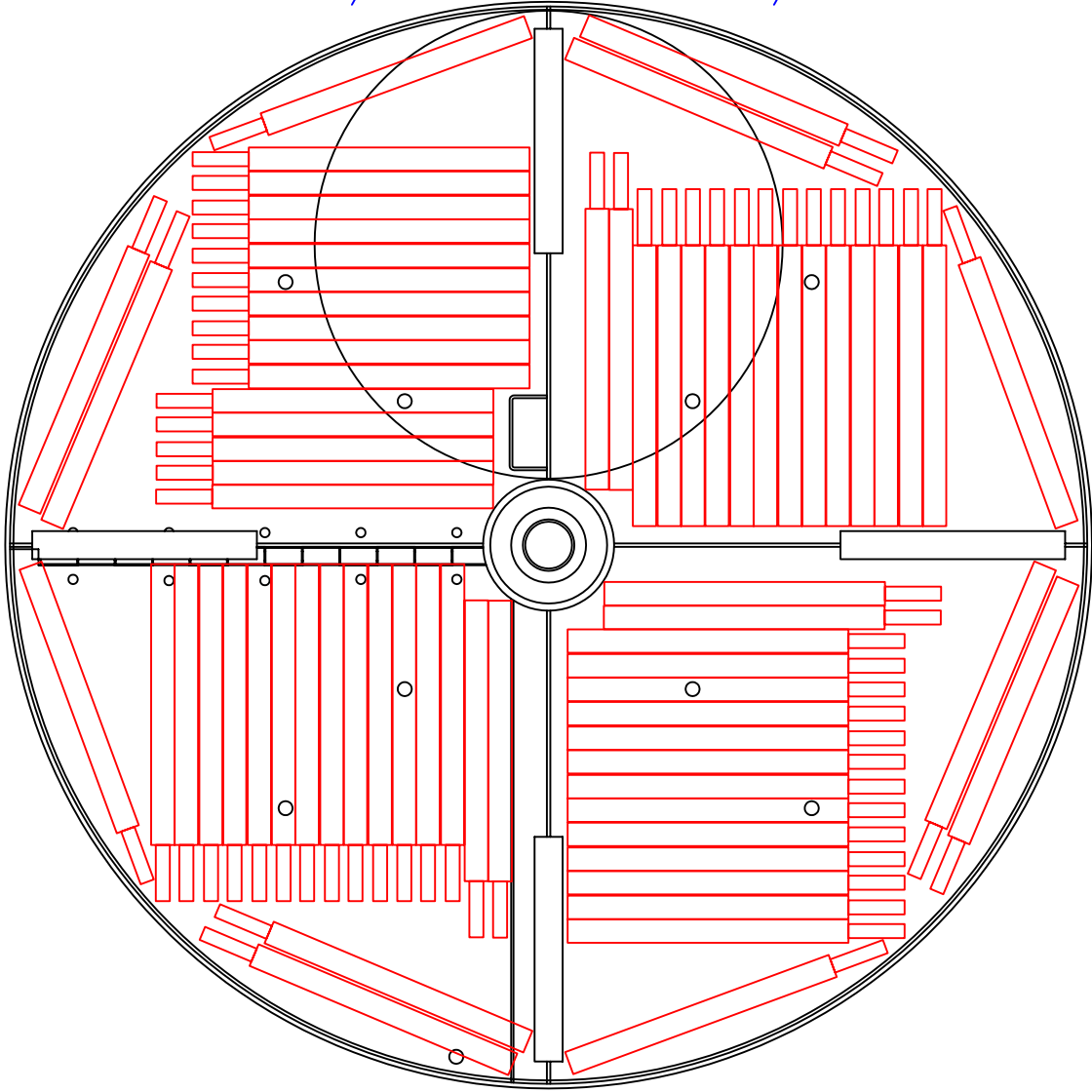
XLC 810 HE GAMBRO DF-200



BOM

P/N	DESCRIPTION	QTY
10580782	FRAMES	55
10580715	CANISTERS	220

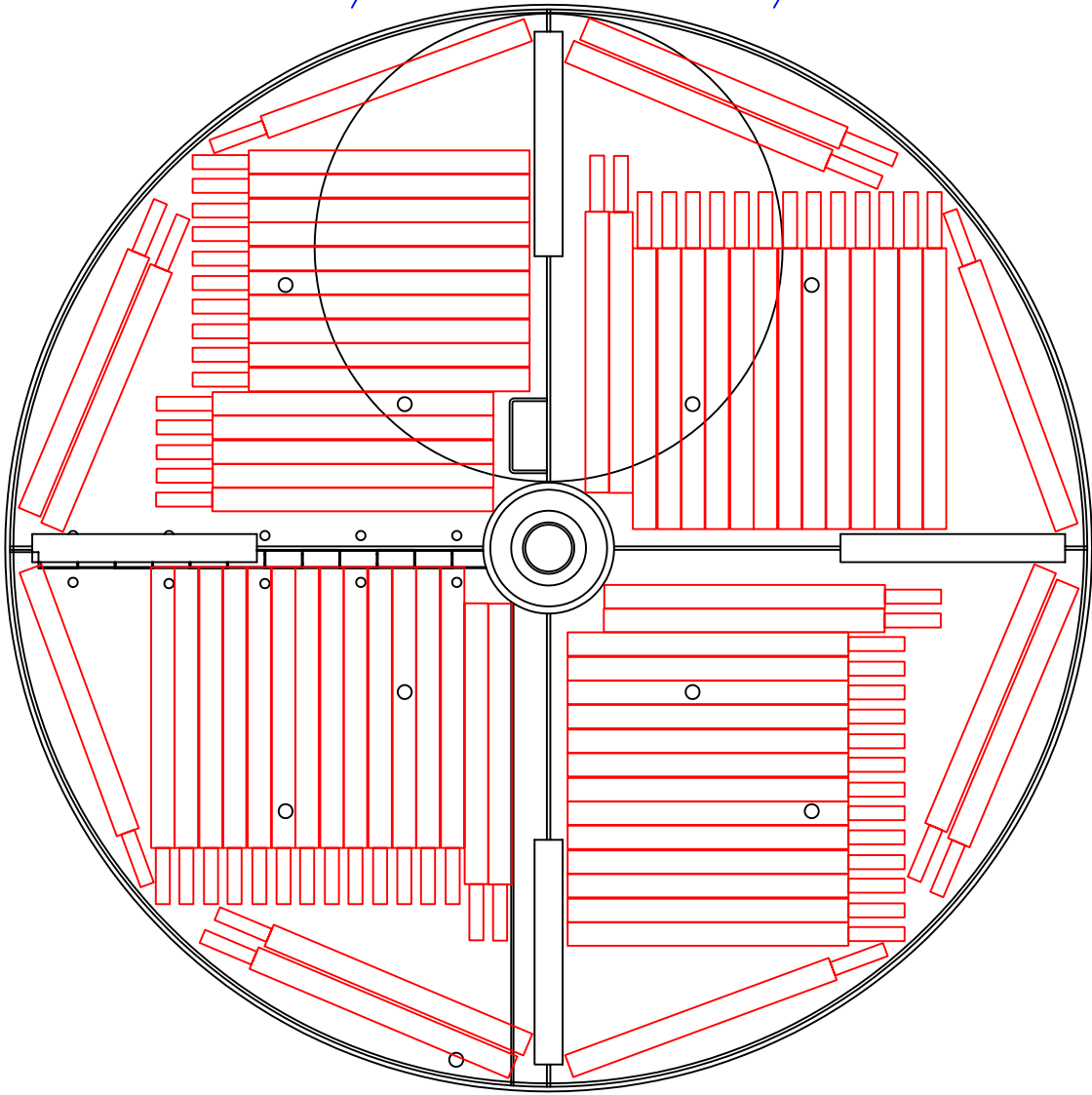
XLC 810 HE
CHARTERMED
7005-2/7039-2/7303-2



BOM

P/N	DESCRIPTION	QTY
10969069	FRAMES	72
10969077	CANISTERS	216

XLC 810 HE
CHARTERMED
7400-2/7410-2/7403-2



BOM

P/N	DESCRIPTION	QTY
10969481	FRAMES	72
10969472	CANISTERS	144